



OPERATING INSTRUCTIONS

EN

Translation of the Original

HILOBE 8103 | 11003 | 14003

Roots pump

PFEIFFER  **VACUUM**

Dear Customer,

Thank you for choosing a Pfeiffer Vacuum product. Your new roots pump should support you in your individual application with full performance and without malfunctions. The name Pfeiffer Vacuum stands for high-quality vacuum technology, a comprehensive and complete range of top-quality products and first-class service. From this extensive, practical experience we have gained a large volume of information that can contribute to efficient deployment and to your personal safety.

In the knowledge that our product must avoid consuming work output, we trust that our product can offer you a solution that supports you in the effective and trouble-free implementation of your individual application.

Please read these operating instructions before putting your product into operation for the first time. If you have any questions or suggestions, please feel free to contact info@pfeiffer-vacuum.de.

Further operating instructions from Pfeiffer Vacuum can be found in the [Download Center](#) on our website.

Disclaimer of liability

These operating instructions describe all models and variants of your product. Note that your product may not be equipped with all features described in this document. Pfeiffer Vacuum constantly adapts its products to the latest state of the art without prior notice. Please take into account that online operating instructions can deviate from the printed operating instructions supplied with your product.

Furthermore, Pfeiffer Vacuum assumes no responsibility or liability for damage resulting from the use of the product that contradicts its proper use or is explicitly defined as foreseeable misuse.

Copyright

This document is the intellectual property of Pfeiffer Vacuum and all contents of this document are protected by copyright. They may not be copied, altered, reproduced or published without the prior written permission of Pfeiffer Vacuum.

We reserve the right to make changes to the technical data and information in this document.

Table of contents

1	About this manual	8
1.1	Validity	8
	1.1.1 Applicable documents	8
	1.1.2 Variants	8
1.2	Target group	8
1.3	Conventions	8
	1.3.1 Instructions in the text	8
	1.3.2 Pictographs	9
	1.3.3 Stickers on the product	9
	1.3.4 Abbreviations	10
2	Safety	11
2.1	General safety information	11
2.2	Safety instructions	11
2.3	Safety precautions	15
2.4	Limits of use	15
2.5	Proper use	16
2.6	Foreseeable improper use	16
2.7	Personnel qualification	17
	2.7.1 Ensuring personnel qualification	17
	2.7.2 Personnel qualification for maintenance and repair	17
3	Product description	18
3.1	Function	18
	3.1.1 Drive	19
	3.1.2 Cooling	19
	3.1.3 Mounting orientations	19
3.2	Identifying product	19
3.3	Product features	20
3.4	Scope of delivery	20
4	Transportation and Storage	21
4.1	Transporting vacuum pump	21
4.2	Storing vacuum pump	22
5	Installation	23
5.1	Setting up vacuum pump	23
5.2	Mounting orientations	23
5.3	Filling with lubricant	24
5.4	Connecting vacuum side	25
5.5	Connecting the fore-vacuum side	27
5.6	Making cooling water connection	28
5.7	Connecting switch box	29
5.8	Connecting temperature sensors	30
5.9	Connecting accessories	31
5.10	Connecting to mains power supply	31
6	Interfaces	33
6.1	"Remote" interface	33
	6.1.1 Voltage output	33
	6.1.2 Inputs	34
	6.1.3 Outputs	34
	6.1.4 RS-485	34
6.2	Using RS-485 interface	34
6.3	Pfeiffer Vacuum protocol for RS-485 interface	35
	6.3.1 Telegram frame	35
	6.3.2 Telegram description	36

	6.3.3 Telegram example 1	36
	6.3.4 Telegram example 2	36
	6.3.5 Data types	37
7	Parameter set	38
	7.1 General	38
	7.2 Control commands	38
	7.3 Status requests	39
	7.4 Reference value inputs	40
	7.5 Additional parameters for the control unit	40
8	Operation	41
	8.1 Commissioning vacuum pump	41
	8.2 Switching on the vacuum pump	41
	8.3 Adjusting sealing gas amount	42
	8.4 Configuring the connections with the Pfeiffer Vacuum parameter set	42
	8.5 Operating modes	43
	8.5.1 Normal operation	43
	8.5.2 Stand-by operation	44
	8.5.3 Rotation speed setting mode	44
	8.6 Operation monitoring	44
	8.6.1 Operating mode display via LED	44
	8.6.2 Temperature monitoring	45
	8.6.3 Check the lubricant level	45
	8.7 Switching off and venting	45
9	Maintenance	47
	9.1 Maintenance information	47
	9.2 Checklist for inspection and maintenance	47
	9.3 Cleaning air filter	49
	9.4 Changing lubricant	49
	9.4.1 Draining lubricant	50
	9.4.2 Filling with lubricant	51
10	Decommissioning	52
	10.1 Shutting down for longer periods	52
	10.2 Recommissioning	52
11	Recycling and disposal	53
	11.1 General disposal information	53
	11.2 Dispose of HiLobe roots pumps	53
12	Malfunctions	54
	12.1 General	54
	12.2 Troubleshooting	54
	12.3 Error codes	55
	12.4 Warning and malfunction messages when operating with control units	56
13	Service solutions by Pfeiffer Vacuum	57
14	Spare parts	59
15	Accessories	60
	15.1 Accessory information	60
	15.2 Ordering accessories	60
16	Technical data and dimensions	62
	16.1 General	62
	16.2 Substances in contact with the media	62
	16.3 Technical data	63
	16.4 Dimensions	63

EC Declaration of Conformity	66
UK Declaration of Conformity	67

List of tables

Tbl. 1:	Stickers on the product	10
Tbl. 2:	Abbreviations used	10
Tbl. 3:	Permissible ambient conditions	15
Tbl. 4:	Features of the roots pumps	20
Tbl. 5:	Requirements on the cooling water composition	28
Tbl. 6:	Version of the cooling water circuit	28
Tbl. 7:	Required properties of the power supply cable	32
Tbl. 8:	Plug arrangement of the D-Sub socket, 15-pin	33
Tbl. 9:	Features of the RS-485 interface	35
Tbl. 10:	Explanation and meaning of the parameters	38
Tbl. 11:	Parameter set Control commands	39
Tbl. 12:	Parameter set Status requests	40
Tbl. 13:	Parameter set Reference value inputs	40
Tbl. 14:	Parameters for control unit functions	40
Tbl. 15:	Configuration with parameters [P:019] and [P:024]	43
Tbl. 16:	Configuration with parameters [P:060] and [P:061]	43
Tbl. 17:	Meaning of the LEDs	45
Tbl. 18:	Maintenance intervals	48
Tbl. 19:	Troubleshooting	55
Tbl. 20:	Error messages of the electronic drive unit	56
Tbl. 21:	Warning messages of the electronic drive unit	56
Tbl. 22:	Warning and malfunction messages	56
Tbl. 23:	HiLobe spare part packages	59
Tbl. 24:	Order numbers for accessories	60
Tbl. 25:	Consumables	61
Tbl. 26:	Conversion table: Pressure units	62
Tbl. 27:	Conversion table: Units for gas throughput	62
Tbl. 28:	Materials that make contact with the process media	62
Tbl. 29:	Technical data HiLobe	63

List of figures

Fig. 1:	Position of the stickers on the product	10
Fig. 2:	Max. permissible pressure differential between input and output sides, in accordance with pump rotation speed	16
Fig. 3:	Design, construction	18
Fig. 4:	Design, switch box	19
Fig. 5:	Transporting vacuum pump	22
Fig. 6:	Permissible mounting orientation: Vertical direction of flow	24
Fig. 7:	Filling with lubricant	25
Fig. 8:	Connecting the vacuum side to ISO-F	26
Fig. 9:	Cooling water connection	29
Fig. 10:	Connecting switch box	30
Fig. 11:	Connecting temperature sensors	31
Fig. 12:	Mains connection pin assignment	32
Fig. 13:	Pin assignment of the D-Sub socket, 15-pin	33
Fig. 14:	Cross-link via connection RS-485 using connection cables and accessories	35
Fig. 15:	Replace the filter mat of the fan	49
Fig. 16:	Draining lubricant	50
Fig. 17:	Filling with lubricant	51
Fig. 18:	HiLobe DN 250	64
Fig. 19:	Switch box with electronic drive unit RC 15000	65

1 About this manual



IMPORTANT

Read carefully before use.
Keep the manual for future consultation.

1.1 Validity

These operating instructions are a customer document of Pfeiffer Vacuum. The operating instructions describe the functions of the named product and provide the most important information for the safe use of the device. The description is written in accordance with the valid directives. The information in these operating instructions refers to the product's current development status. The document shall remain valid provided that the customer does not make any changes to the product.

1.1.1 Applicable documents

Document	Number
Declaration of conformity	A component of these instructions

You can find this document in the [Pfeiffer Vacuum Download Center](#).

1.1.2 Variants

- HiLobe 8103
- HiLobe 11003
- HiLobe 14003

1.2 Target group

These operating instructions are aimed at all persons performing the following activities on the product:

- Transportation
- Setup (Installation)
- Usage and operation
- Decommissioning
- Maintenance and cleaning
- Storage or disposal

The work described in this document is only permitted to be performed by persons with the appropriate technical qualifications (expert personnel) or who have received the relevant training from Pfeiffer Vacuum.

1.3 Conventions

1.3.1 Instructions in the text

Usage instructions in the document follow a general structure that is complete in itself. The required action is indicated by an individual step or multi-part action steps.

Individual action step

A horizontal, solid triangle indicates the only step in an action.

- ▶ This is an individual action step.

Sequence of multi-part action steps

The numerical list indicates an action with multiple necessary steps.

1. Step 1
2. Step 2
3. ...

1.3.2 Pictographs

Pictographs used in the document indicate useful information.



Note




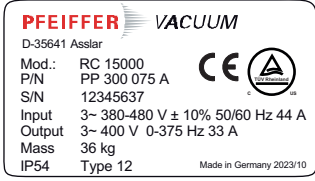
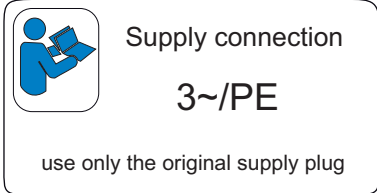


Tip





Qr code is linked to further online information.
We recommend viewing on a tablet computer.
Pay attention to the amount of data that is generated.

1.3.3 Stickers on the product

This section describes all the stickers on the product along with their meaning.

 <p>PFEIFFER VACUUM D-35641 Asstar</p> <p>Mod.: HiLobe 14003 P/N.: PP V62 301 S/N.: 22036249</p> <p>Oil: P3 3.00 l S(N₂): max. 13540 m³/h n: max. 7500 1/min Mass: 620 kg</p> <p>Made in Germany 2021/05</p>	<p>Rating plate (example)</p> <p>The rating plate for the vacuum pump is located on the side of the metal cladding.</p>
 <p>PFEIFFER VACUUM D-35641 Asstar</p> <p>Mod.: RC 15000 P/N: PP 300 075 A S/N: 12345637</p> <p>Input 3~ 380-480 V ± 10% 50/60 Hz 44 A Output 3~ 400 V 0-375 Hz 33 A Mass 36 kg IP54 Type 12</p> <p>Made in Germany 2023/10</p>	<p>Rating plate of the electronic drive unit</p> <p>The rating plate is located on the housing of the electronic drive unit.</p>
 <p>Supply connection</p> <p>3~/PE</p> <p>use only the original supply plug</p>	<p>Mains power supply</p> <p>This sticker indicates that you must use the original power supply connector.</p>
	<p>Operating instructions note</p> <p>This sticker indicates that this operating instructions must be read before performing any tasks.</p>
	<p>Warning hot surface</p> <p>This sticker warns of injuries caused by high temperatures in case of touching without protection during operation.</p>

	<p>Closure seal The product is sealed ex-factory. Damaging or removing a closure seal results in loss of the warranty.</p>
	<p>Oil can The "Oil can" symbol identifies the lubricant filler screws.</p>

Tbl. 1: Stickers on the product

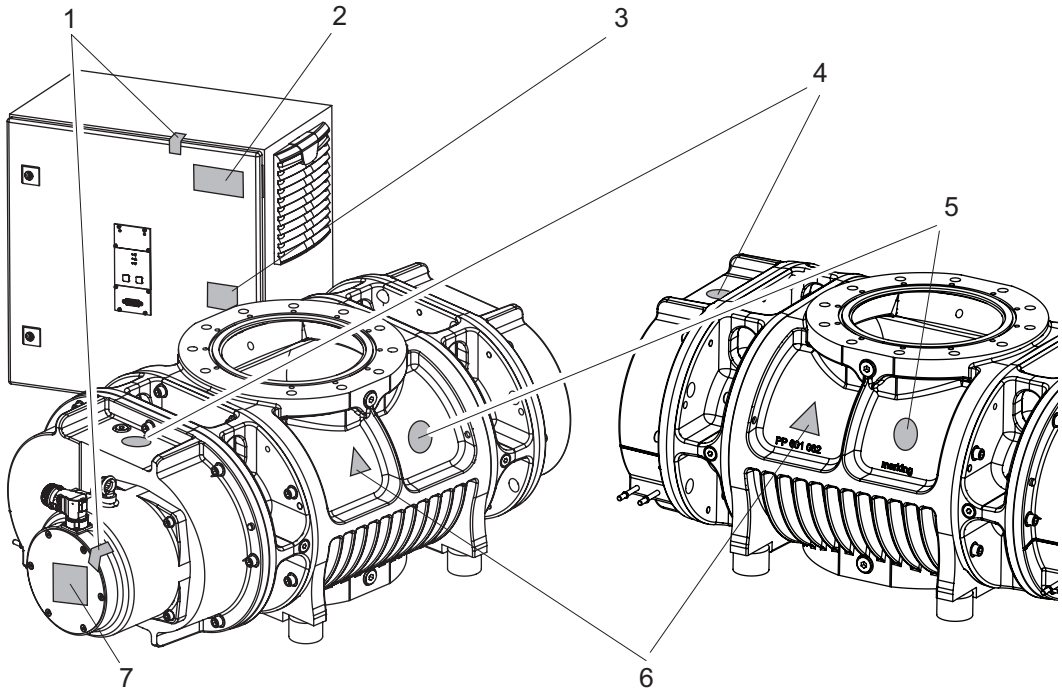


Fig. 1: Position of the stickers on the product

- | | |
|---|---|
| 1 Closure seal | 5 Note: Read the operating instructions |
| 2 Rating plate of the electronic drive unit | 6 Warning notice: hot surface |
| 3 Note: Original power supply connector | 7 Rating plate of the vacuum pump |
| 4 Note: Filling ports for lubricant | |

1.3.4 Abbreviations

Abbreviation	Explanation
BA	Operating instructions
FKM	Fluoropolymer rubber
FC	Frequency converter
n.c.	not connected
PE	Protective earth (earthed conductor)
PV	Pfeiffer Vacuum
[P:xxx]	Electronic drive unit control parameters. Printed in bold as a three-digit number in square brackets. Frequently displayed in conjunction with a short description: Example: [P:xxx] Software version
remote	15-pin D-Sub connecting socket on the control panel of the switch box
RS-485	Standard for a physical interface for asynchronous serial data transmission (recommended standard)
SI	Service instructions
Ssc	Short-circuit capacity

Tbl. 2: Abbreviations used

2 Safety

2.1 General safety information

The following 4 risk levels and 1 information level are taken into account in this document.

DANGER

Immediately pending danger

Indicates an immediately pending danger that will result in death or serious injury if not observed.

- ▶ Instructions to avoid the danger situation

WARNING

Potential pending danger

Indicates a pending danger that could result in death or serious injury if not observed.

- ▶ Instructions to avoid the danger situation

CAUTION

Potential pending danger

Indicates a pending danger that could result in minor injuries if not observed.

- ▶ Instructions to avoid the danger situation

NOTICE

Danger of damage to property

Is used to highlight actions that are not associated with personal injury.

- ▶ Instructions to avoid damage to property



Notes, tips or examples indicate important information about the product or about this document.

2.2 Safety instructions

All safety instructions in this document are based on the results of the risk assessment carried out in accordance with Machinery Directive 2006/42/EC Annex I and EN ISO 12100 Section 5. Where applicable, all life cycle phases of the product were taken into account.

Risks during transport

WARNING

Risk of serious injury from swinging, toppling or falling objects

During transport, there is a risk of crushing and impact on swinging, toppling or falling objects. There is a risk of injuries to limbs, up to and including bone fractures and head injuries.

- ▶ Secure the danger zone if necessary.
- ▶ Pay attention to the center of gravity of the load during transport.
- ▶ Ensure even movements and moderate speeds.
- ▶ Observe safe handling of the transport devices.
- ▶ Avoid sloping attachment aids.
- ▶ Never stack products.
- ▶ Wear protective equipment, e.g. safety shoes.

Risks during installation

⚠ DANGER

Danger to life from electric shock

Touching exposed and voltage-bearing elements causes an electric shock. Improper connection of the mains supply leads to the risk of touchable live housing parts. There is a risk to life.

- ▶ Before the installation, check that the connection leads are voltage-free.
- ▶ Make sure that electrical installations are only carried out by qualified electricians.
- ▶ Provide adequate grounding for the device.
- ▶ After connection work, carry out an earthed conductor check.

⚠ DANGER

Danger to life from electric shock

When establishing the voltages that exceed the specified safety extra-low voltage (according to IEC 60449 and VDE 0100), the insulating measures will be destroyed. There is a danger to life from electric shock at the communication interfaces.

- ▶ Connect only suitable devices to the bus system.

⚠ WARNING

Risk of danger to life through missing mains disconnection device

The vacuum pump and electronic drive unit are **not** equipped with a mains disconnection device (mains switch).

- ▶ Install a suitable motor protection switch.

⚠ WARNING

Risk of fatal injury due to electric shock on account of incorrect installation

The device's power supply uses life-threatening voltages. Unsafe or improper installation can lead to life-threatening situations from electric shocks obtained from working with or on the unit.

- ▶ Ensure safe integration into an emergency off safety circuit.
- ▶ Do not carry out your own conversions or modifications on the unit.

⚠ WARNING

Risk of crushing from rotating parts

Fingers and hands may be caught by rotating pistons within the connection flange. This results in severe injuries.

- ▶ Keep limbs out of the reach of the roots pump.

⚠ WARNING

Risk of scalding from suddenly escaping hot cooling water

The cooling water connections are open to both sides. When connecting the cooling water supply, there is a risk of scalding from the sudden escape of overpressurized hot water.

- ▶ Prior to installation, ensure that pressure is discharged from the cooling water system, and that it is cooled down.
- ▶ Wear protective equipment, e.g., safety goggles and gloves.

⚠ WARNING

Danger of injury due to bursting in case of operation without a reinforcing flange

There is a danger of bursting due to the missing reinforcing flange. High pressure escaping, damage to the unit and injuries from flying fragments are possible.

- ▶ Always use the reinforcing flange.

⚠ CAUTION**Danger of injury from bursting as a result of high pressure in the exhaust line**

Faulty or inadequate exhaust pipes lead to dangerous situations, e.g. increased exhaust pressure. There is a danger of bursting. Injuries caused by flying fragments, the escaping of high pressure, and damage to the unit cannot be excluded.

- ▶ Route the exhaust line without shut-off units.
- ▶ Observe the permissible pressures and pressure differentials for the product.
- ▶ Check the function of the exhaust line on a regular basis.

⚠ CAUTION**Electric shock and damage to the vacuum pump and electronic drive unit due to improper connection and disconnection of components**

With existing power supply connection to the switch box, there is a risk of electric shock when making contact with the motor connecting plug. Even after the power supply has been switched off, the vacuum pump continues to deliver electrical energy during its run-down period. If the units are disconnected prematurely, there is the risk of electric shock, and destruction of electric components.

- ▶ Always interrupt the power supply connection at the switch box before connecting the power supply plug to the motor.
- ▶ With existing power supply connection to the switch box or when the pistons are running, never disconnect the motor connecting plug.
- ▶ After switching off, wait at least another 5 minutes until the capacitors have discharged before separating the cable connection.

⚠ CAUTION**Danger of burns on hot surfaces**

Depending on the operating and ambient conditions, the surface temperature of the vacuum pump can increase to above 70 °C. If access to the vacuum pump is unrestricted, there is a danger of burns due to contact with hot surfaces.

- ▶ Install suitable touch protection if the vacuum pump is accessible to untrained persons.
- ▶ Allow the vacuum pump to cool down before carrying out any work.
- ▶ Contact Pfeiffer Vacuum for suitable touch protection in system solutions.

Risks during operation**⚠ WARNING****Danger of poisoning due to toxic process media escaping from the exhaust pipe**

During operation with no exhaust line, the vacuum pump allows exhaust gases and vapors to escape freely into the air. There is a risk of injury and fatality due to poisoning in processes with toxic process media.

- ▶ Observe the pertinent regulations for handling toxic process media.
- ▶ Safely purge toxic process media via an exhaust line.
- ▶ Use appropriate filter equipment to separate toxic process media.

⚠ CAUTION**Danger of injury from bursting as a result of high pressure in the exhaust line**

Faulty or inadequate exhaust pipes lead to dangerous situations, e.g. increased exhaust pressure. There is a danger of bursting. Injuries caused by flying fragments, the escaping of high pressure, and damage to the unit cannot be excluded.

- ▶ Route the exhaust line without shut-off units.
- ▶ Observe the permissible pressures and pressure differentials for the product.
- ▶ Check the function of the exhaust line on a regular basis.

⚠ CAUTION

Danger of burns on hot surfaces

Depending on the operating and ambient conditions, the surface temperature of the vacuum pump can increase to above 70 °C. If access to the vacuum pump is unrestricted, there is a danger of burns due to contact with hot surfaces.

- ▶ Install suitable touch protection if the vacuum pump is accessible to untrained persons.
- ▶ Allow the vacuum pump to cool down before carrying out any work.
- ▶ Contact Pfeiffer Vacuum for suitable touch protection in system solutions.

Risks during maintenance, decommissioning and in the event of malfunctions

⚠ WARNING

Danger to life from electric shock during maintenance and service work

There is a danger to life from electric shock when making contact with live components that still exist after the vacuum pump has been switched off.

- ▶ Disconnect the vacuum pump safely from the mains.
- ▶ Wait until the vacuum pump comes to a standstill (rotation speed = 0).
- ▶ After switching off the vacuum pump, wait another 5 minutes until the capacitors have discharged.

⚠ WARNING

Danger to life from electric shock in the event of a fault

In the event of a fault, devices connected to the mains may be live. There is a danger to life from electric shock when making contact with live components.

- ▶ Always keep the mains connection freely accessible so you can disconnect it at any time.

⚠ WARNING

Risk of crushing from rotating parts

Fingers and hands may be caught by rotating pistons within the connection flange. This results in severe injuries.

- ▶ Keep limbs out of the reach of the roots pump.

⚠ WARNING

Health hazard through poisoning from toxic contaminated components or devices

Toxic process media result in contamination of devices or parts of them. During maintenance work, there is a risk to health from contact with these poisonous substances. Illegal disposal of toxic substances causes environmental damage.

- ▶ Take suitable safety precautions and prevent health hazards or environmental pollution by toxic process media.
- ▶ Decontaminate affected parts before carrying out maintenance work.
- ▶ Wear protective equipment.

⚠ CAUTION

Scalding from hot lubricant

Danger of scalding when draining lubricant if it comes into contact with the skin.

- ▶ Wear protective equipment.
- ▶ Use a suitable collection receptacle.

2.3 Safety precautions



Duty to provide information on potential dangers

The product holder or user is obliged to make all operating personnel aware of dangers posed by this product.

Every person who is involved in the installation, operation or maintenance of the product must read, understand and adhere to the safety-related parts of this document.



Infringement of conformity due to modifications to the product

The Declaration of Conformity from the manufacturer is no longer valid if the operator changes the original product or installs additional equipment.

- Following the installation into a system, the operator is required to check and re-evaluate the conformity of the overall system in the context of the relevant European Directives, before commissioning that system.

General safety precautions

- ▶ Do not expose body parts to the vacuum.
- ▶ Observe the safety and accident prevention regulations, if necessary wear personal protective equipment.
- ▶ Check all safety measures at regular intervals.
- ▶ Always ensure a secure connection to the earthed conductor (PE), protection class I.
- ▶ During operation, make sure that plug-and-socket connections are securely fitted.
- ▶ Never operate the vacuum pump with open vacuum flange.
- ▶ Never make your own conversions or modifications to the vacuum pump.
- ▶ Before returning the vacuum pump, observe the notes in the chapter Service.

2.4 Limits of use

Parameter	HiLobe
Installation location	weatherproof (internal space)
Installation altitude	max. 2000 m above sea level ¹⁾
Orientation	horizontal, max. permissible angle of inclination: $\pm 3^\circ$
Ambient temperature	+5 °C to +40 °C
Relative humidity of air	max. 85 %
Permanent intake pressure in circulation mode	< 1100 hPa (abs.)
Permanent intake pressure in vacuum mode	depending on max. pressure differential
Max. gas temperature, pressure side	250 °C
Pumping speed ratio to backing pump	$\leq 10:1$
Degree of pollution	2
Protection class	I
Overvoltage category	II
Permissible protection degree	IP54 Type 12 according to UL 50E

Tbl. 3: Permissible ambient conditions

1) at installation altitudes > 1,000m above m.s.l. and an ambient temperature of 40 °C the rated power of the motor reduces by around 10 %

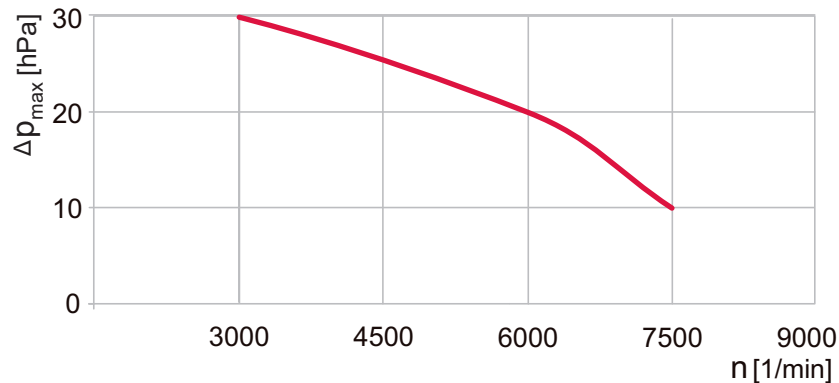


Fig. 2: Max. permissible pressure differential between input and output sides, in accordance with pump rotation speed

2.5 Proper use

- ▶ Use the vacuum pump for vacuum generation only.
- ▶ To protect the lubricant and the bearing, use sealing gas if high boiling, corrosive or particle-laden media (e.g. solvents) are pumped.
- ▶ Operate the vacuum pump within the application limits of the product and in compliance with the technical data.
- ▶ Adhere to the installation, commissioning, operating, and maintenance instructions.
- ▶ Use only accessory parts recommended by Pfeiffer Vacuum.

2.6 Foreseeable improper use

Improper use of the product invalidates all warranty and liability claims. Any use that is counter to the purpose of the product, whether intentional or unintentional, is regarded as misuse.

- Pumping explosive media
- Pumping radioactive media
- Pumping media that can corrode or not be withstood by the vacuum pump materials
- Pumping media that introduce an ignition source to the suction chamber
- Pumping media that form adhesive deposits inside the suction chamber and cause the pistons to touch or jam
- Pumping pressurized media (> atmospheric pressure)
- Pumping fluids that do not serve cleaning
- Pumping media prone to spontaneous, specific exothermic reactions
- Use in potentially explosive areas
- Use in systems in which sporadic loads and vibrations or periodic forces act on the device
- Use in strong electrical, magnetic, or electromagnetic fields
- Use with vacuum and/or fore-vacuum flange open to the atmosphere
- Setting of frequency converter parameters outside of permissible value range
- Use of lubricants not specified by Pfeiffer Vacuum
- Use of pipes to lift the vacuum pump
- Use of accessories or spare parts not listed in these instructions
- Using the vacuum pump as a climbing aid
- Use of mineral-based lubricants, such as P3, with an oxygen concentration > 21 %

Mineral-based lubricants are combustible and ignite at high temperatures, and when they come into contact with pure oxygen. These lubricants oxidize heavily and thus lose their lubricating capacity.

2.7 Personnel qualification

The work described in this document may only be carried out by persons who have appropriate professional qualifications and the necessary experience.

Training people

1. Train the technical personnel on the product.
2. Only let personnel to be trained work with and on the product when under the supervision of trained personnel.
3. Only allow trained technical personnel to work with the product.
4. Before starting work, make sure that the commissioned personnel have read and understood these operating instructions and all applicable documents, in particular the safety, maintenance and repair information.

2.7.1 Ensuring personnel qualification

Specialist for mechanical work

Only a trained specialist may carry out mechanical work. Within the meaning of this document, specialists are people responsible for construction, mechanical installation, troubleshooting, and maintenance of the product, and who have the following qualifications:

- Qualification in the mechanical field in accordance with nationally applicable regulations
- Knowledge of this documentation

Specialist for electrical engineering work

Only a trained electrician may carry out electrical engineering work. Within the meaning of this document, electricians are people responsible for electrical installation, commissioning, troubleshooting, and maintenance of the product, and who have the following qualifications:

- Qualification in the electrical engineering field in accordance with nationally applicable regulations
- Knowledge of this documentation

In addition, these individuals must be familiar with applicable safety regulations and laws, as well as the other standards, guidelines, and laws referred to in this documentation. The above individuals must have expressly granted operational authorization, to commission, program, configure, mark, and earth devices, systems, and circuits in accordance with safety technology standards.

Trained individuals

Only adequately trained individuals may carry out all works in other transport, storage, operation, and disposal fields. Such training must ensure that individuals are capable of carrying out the required activities and work steps safely and properly.

2.7.2 Personnel qualification for maintenance and repair

Adequately trained individuals are:

- **Maintenance level 1**
 - Customer with technical education
 - Pfeiffer Vacuum service technician
- **Maintenance level 3**
 - Pfeiffer Vacuum service technician

3 Product description

3.1 Function

The operating principle of the **HiLobe** roots pump is based on 2 synchronous pistons that rotate in a housing without touching. The pumping effect is produced as a result of the opposing rotation of 2 figure-of-eight shaped roots pistons. While suction chambers are formed between the rolling pistons and the housing, the rolling pistons continuously form a mutual seal without touching each other or the housing. A pair of gears positioned on the extended shaft ends, causes the opposing, synchronous running of the roots pistons. Lubrication is limited to the two bearing and gear chambers which are arranged separately from the suction chambers.



Scan the QR code or [click here](#) and see how Pfeiffer Vacuum roots pumps work.

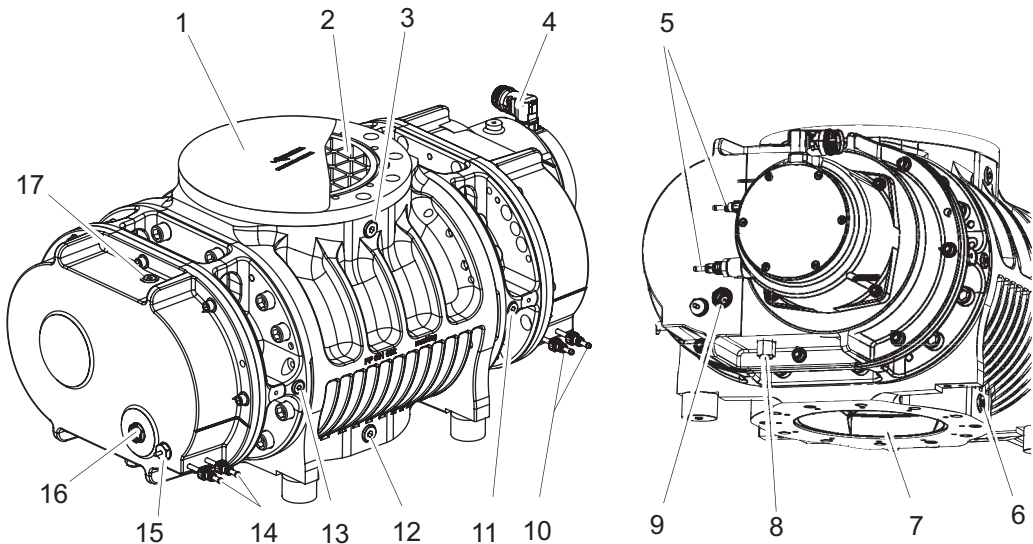


Fig. 3: Design, construction

- | | |
|---|--|
| <ul style="list-style-type: none"> 1 Vacuum flange with flange cover 2 Reinforcing flange 3 Measurement connection on vacuum side (both ends) 4 Filler screw 5 Motor power supply plug 6 Cooling water connection, motor 7 Gas temperature sensor connector 8 Fore-vacuum flange 9 Drain screw | <ul style="list-style-type: none"> 10 Sight glass, fixed bearing side 11 Cooling water connection, fixed bearing side 12 Sealing gas connection on fixed bearing side (both ends) 13 Measurement connection on fore-vacuum side (both ends) 14 Sealing gas connection on loose bearing side (both ends) 15 Cooling water connection, floating bearing side 16 Sight glass, floating bearing side 17 Filler screw |
|---|--|

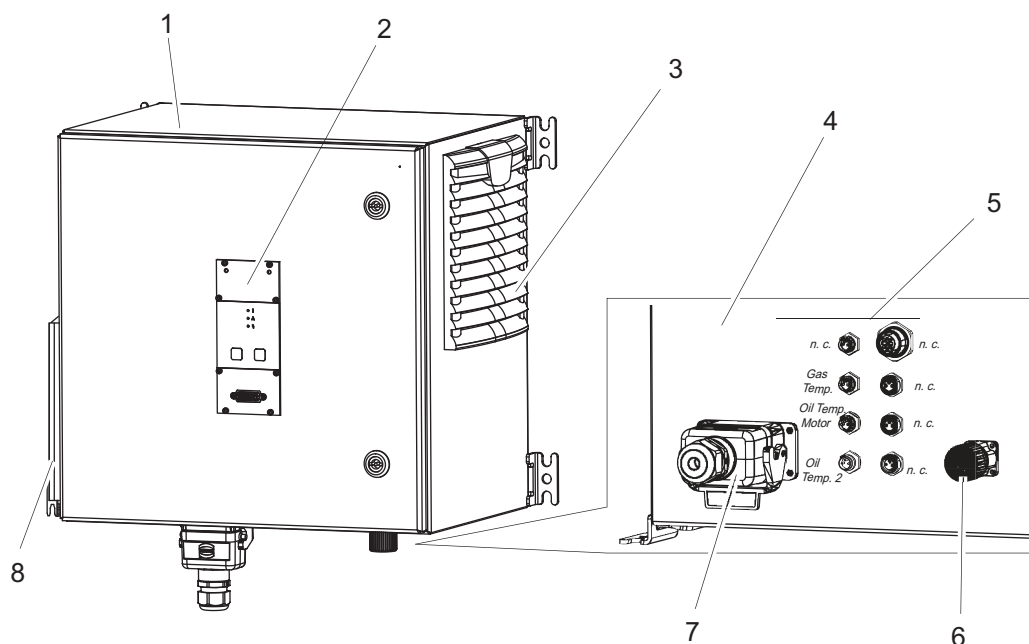


Fig. 4: Design, switch box

- | | |
|--------------------------------|------------------------------|
| 1 Switch box | 5 Sensor connections |
| 2 Operator panel | 6 Motor connection |
| 3 Ventilation grille, inlet | 7 Mains connection |
| 4 Underside of control cabinet | 8 Ventilation grille, outlet |

3.1.1 Drive

The drive of the vacuum pump is carried out coupling-free in "Cantilever design". Due to the motor design, the vacuum pump is compact, hermetically sealed and also has a high efficiency. The frequency converter takes over the control of the vacuum pump and permits the adjustment of the speed to the actual process requirements (in the valid speed range).

3.1.2 Cooling

The vacuum pump is equipped with water cooling.

3.1.3 Mounting orientations

The vacuum pump is suitable for vertical direction of flow.

3.2 Identifying product

To ensure unambiguous identification of the product when communicating with Pfeiffer Vacuum, always keep all of the information on the rating plate at hand.

The following information is shown on the rating plates:

- Pump model
- Model number
- Type and quantity of the lubricant
- Max. allowable pump rotation speed
- Date of manufacture
- Input voltage range (motor rating plate)

3.3 Product features

Pump type	Nominal pumping speed	Intake flange/direction of flow
HiLobe 8103	2700 – 8120 m ³ /h	top/vertical
HiLobe 11003	2700 – 10830 m ³ /h	top/vertical
HiLobe 14003	2700 – 13540 m ³ /h	top/vertical

Tbl. 4: Features of the roots pumps

3.4 Scope of delivery

- Vacuum pump with switch box and frequency converter
- Flange cover (foil) for the connection flange
- Seal for the connection flange
- Reinforcing flange with 4 fixing screws
- Screw kit for the connection flange
- Mating plug for the mains connection
- 2 temperature sensors
- Quick fitting couplings for cooling water line connections
- Cable set, 2 m
- Lubricant D2 (for standard pump)
- Operating instructions

4 Transportation and Storage

4.1 Transporting vacuum pump

WARNING

Risk of serious injury from swinging, toppling or falling objects

During transport, there is a risk of crushing and impact on swinging, toppling or falling objects. There is a risk of injuries to limbs, up to and including bone fractures and head injuries.

- ▶ Secure the danger zone if necessary.
- ▶ Pay attention to the center of gravity of the load during transport.
- ▶ Ensure even movements and moderate speeds.
- ▶ Observe safe handling of the transport devices.
- ▶ Avoid sloping attachment aids.
- ▶ Never stack products.
- ▶ Wear protective equipment, e.g. safety shoes.



Instructions for safe transport

- Only remove the flange covers for the connection flange once the pipes have been mounted.
- Fill the gear and bearing chambers with lubricant only once the final installation position is reached.



Packing

Pfeiffer Vacuum recommends storing the transport packaging.

Safe transport of the product

1. Observe weight specified on the rating plate.
2. Where possible, always transport or ship the roots pump in its original packaging.
3. Remove the protective cap only immediately prior to installation.

Transporting the vacuum pump in its packaging

1. Use a pallet truck to transport the vacuum pump in its packaging.
2. Note the center of gravity of the load.
3. Observe safe handling of manually operated transport devices.
4. Ensure harmonious movements and moderate speeds.
5. Ensure a flat substrate.
6. Wear personal protective equipment, e.g. safety shoes.

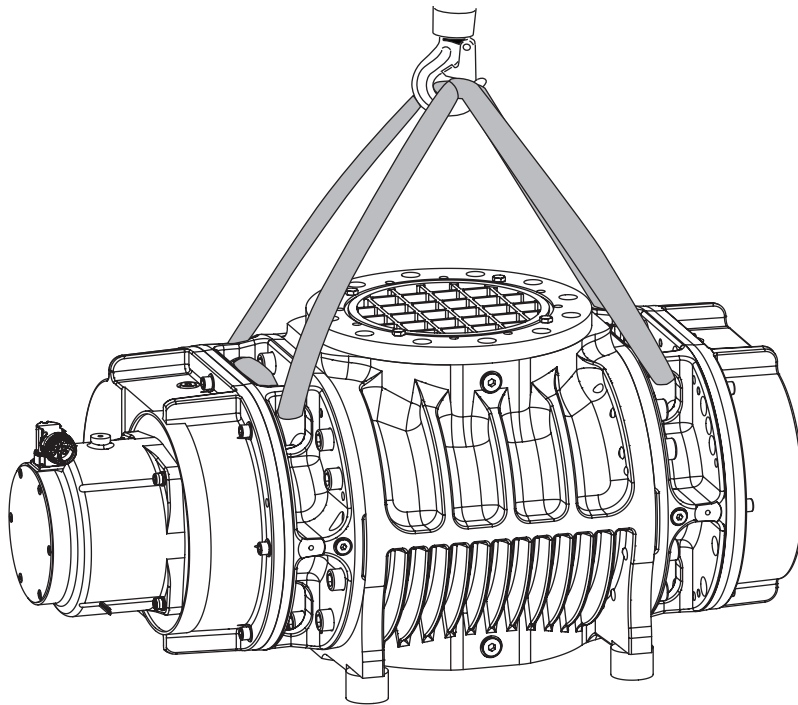


Fig. 5: Transporting vacuum pump

Transporting vacuum pump without packaging

1. Unpack the vacuum pump.
2. Attach a suitable lifting device to the lugs of the two bearing shields.
3. Pay attention to the correct use and fastening of the lifting equipment.
4. Lift the vacuum pump out of the transport packaging vertically.

4.2 Storing vacuum pump

Neither the suction chamber nor the pistons in the roots pump in the roots pump interior are provided with **corrosion protection**.



Storage

Pfeiffer Vacuum recommends storing the products in their original transport packaging.

Procedure

1. Vacuum-seal both connection flanges.
2. Store the roots pump only in dry, dust-free rooms, within the specified ambient conditions.
3. Evacuate and then fill the suction chamber with nitrogen to achieve the best corrosion protection for the roots pump.
4. In rooms with humid or aggressive atmospheres, seal the roots pump airtight in a plastic bag, together with a drying agent.
5. Change the lubricant after a storage period of more than 2 years.
6. If you intend to store the roots pump for longer periods, we recommend that you use a special corrosion protection agreed with Pfeiffer Vacuum.

5 Installation

5.1 Setting up vacuum pump

⚠ CAUTION

Danger of burns on hot surfaces

Depending on the operating and ambient conditions, the surface temperature of the vacuum pump can increase to above 70 °C. If access to the vacuum pump is unrestricted, there is a danger of burns due to contact with hot surfaces.

- ▶ Install suitable touch protection if the vacuum pump is accessible to untrained persons.
- ▶ Allow the vacuum pump to cool down before carrying out any work.
- ▶ Contact Pfeiffer Vacuum for suitable touch protection in system solutions.

General notes for the installation of vacuum components

- ▶ Choose an installation location that permits access to the product and to supply lines at all times.
- ▶ Observe the ambient conditions given for the limits of use.
- ▶ Provide the highest possible level of cleanliness during assembly.
- ▶ Ensure that flange components during installation are grease-free, dust-free and dry.

Required aids

- Fastening material 4 × M12

Procedure

1. Check the carrying capacity of the floor at the installation location.
2. Ensure sufficient space under the vacuum pump for a collection receptacle when filling or changing lubricant.
3. Ensure the prescribed mounting orientation of the vacuum pump before the vacuum pump is filled with lubricant for the first time.
4. Place the vacuum pump on a flat, horizontal and fixed surface, to safeguard the lubricant supply.
 - Reference surface is the vacuum flange.
5. Screw the vacuum pump to the base without tension.
6. Maintain the minimum distances to bordering surfaces to guarantee sufficient air circulation.
7. Leave the filling/drain holes and sight glasses freely accessible.
8. Fill with lubricant prior to first commissioning.

5.2 Mounting orientations

NOTICE

Damage to the vacuum pump due to incorrect mounting orientation

Impermissible mounting orientations will result in contamination of the process vacuum or damage to the vacuum pump.

- ▶ Operate the vacuum pump only with the permissible mounting orientation.

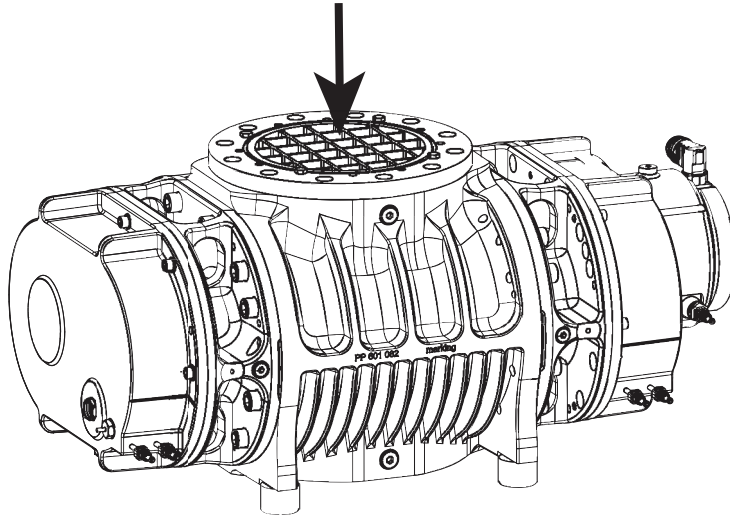


Fig. 6: Permissible mounting orientation: Vertical direction of flow

5.3 Filling with lubricant

⚠ WARNING

Danger of poisoning from toxic vapors

Igniting and heating synthetic lubricants generates toxic vapors. Danger of poisoning if inhaled.

- ▶ Observe the application instructions and precautions.
- ▶ Do not allow tobacco products to come into contact with the lubricant.

NOTICE

Property damage from using non-approved lubricant

Attainment of product-specific performance data is not ensured. If non-approved lubricants are used, all liability and warranty claims against Pfeiffer Vacuum are excluded.

- ▶ Use only lubricants approved by Pfeiffer Vacuum.
- ▶ Use alternative, application-specific lubricants only following consultation with Pfeiffer Vacuum.

Permissible lubricants

- D2 (standard lubricant)
- P3, optional
- F5 for corrosive gas model
- Other lubricants on request

The lubricant type is specified on the rating plate

- ▶ Please refer to rating plate of the vacuum pump for type and quantity of intended lubricant.
 - Only the lubricant used during initial installation is permissible.
 - D2 is permitted as a replacement for D1.
- ▶ Contact Pfeiffer Vacuum if you want to use another type of lubricant.

Required consumables

- Lubricant of the vacuum pump

Required tools

- Allen key, **WAF 8**
- Ring spanner, **WAF 27**

Required aids

- Collection receptacle

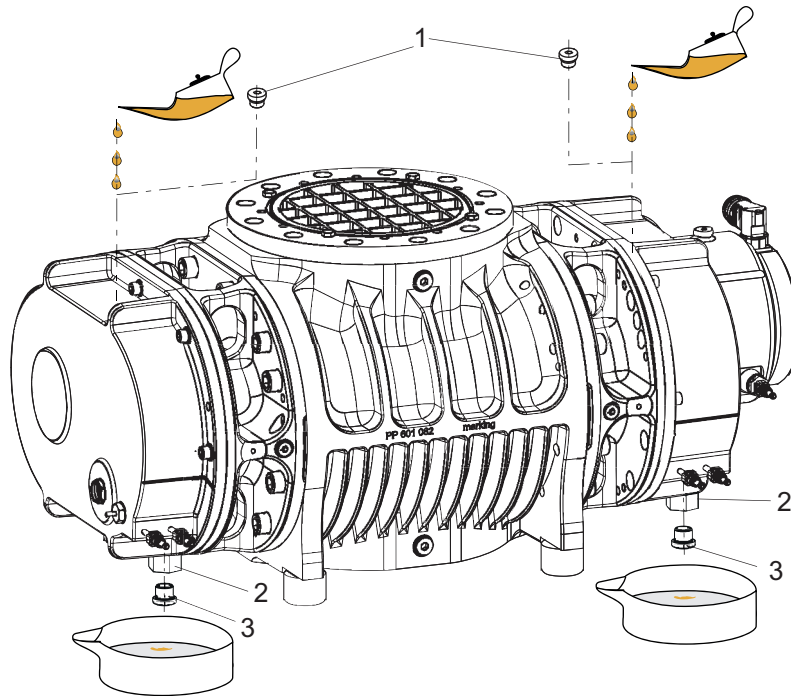


Fig. 7: Filling with lubricant

- | | |
|----------------------|---------------|
| 1 Filler screws | 3 Drain screw |
| 2 Fill level limiter | |



Filling the lubricant

The oil chambers of the roots pump are each equipped with a fill level limiter. A riser tube limits the max. fill level.

- Filling quantity, motor side: approx. 1.60 l
- Filling quantity, opposite side: approx. 1.40 l

Filling with lubricant

1. Make sure that there is sufficient space underneath the pump to be able to place a collection receptacle for the lubricant.
2. Unscrew the filler screws.
3. Hold the fill level limiter with the ring spanner and unscrew the drain screw at the same time.
4. Place a collection receptacle under each drain.
5. Fill the lubricant on both sides up to the maximum fill level.
 - Once full, lubricant overfills the fill level limiter, and drips out of the drain hole.
 - Fill level is visible in the center of the sight glass.
6. Screw the filler and drain screws back in.

5.4 Connecting vacuum side

⚠ WARNING

Danger of injury due to bursting in case of operation without a reinforcing flange

There is a danger of bursting due to the missing reinforcing flange. High pressure escaping, damage to the unit and injuries from flying fragments are possible.

- ▶ Always use the reinforcing flange.

⚠ WARNING

Risk of crushing from rotating parts

Fingers and hands may be caught by rotating pistons within the connection flange. This results in severe injuries.

- ▶ Keep limbs out of the reach of the roots pump.

NOTICE

Property damage from intake of solid particles

During commissioning, there is a risk of damage to the suction chamber from dirt from the system or the pipes.

- ▶ Use a suitable protective strainer ("start-up strainer") in the intake flange.
- ▶ Ensure that this strainer is only removed when the risk of solid particles entering the vacuum pump can be excluded.
 - Observe any pumping speed decrease.

Required tools

- Ring spanner, **WAF 17** for locking screws
- Ring spanner, **WAF 16** for flange DN 160 ISO-F and DN 250 ISO-F
- Ring spanner, **WAF 30** for flange DN 160 PN16 and DN 250 PN16
- Calibrated torque wrench (tightening factor ≤ 2.5)

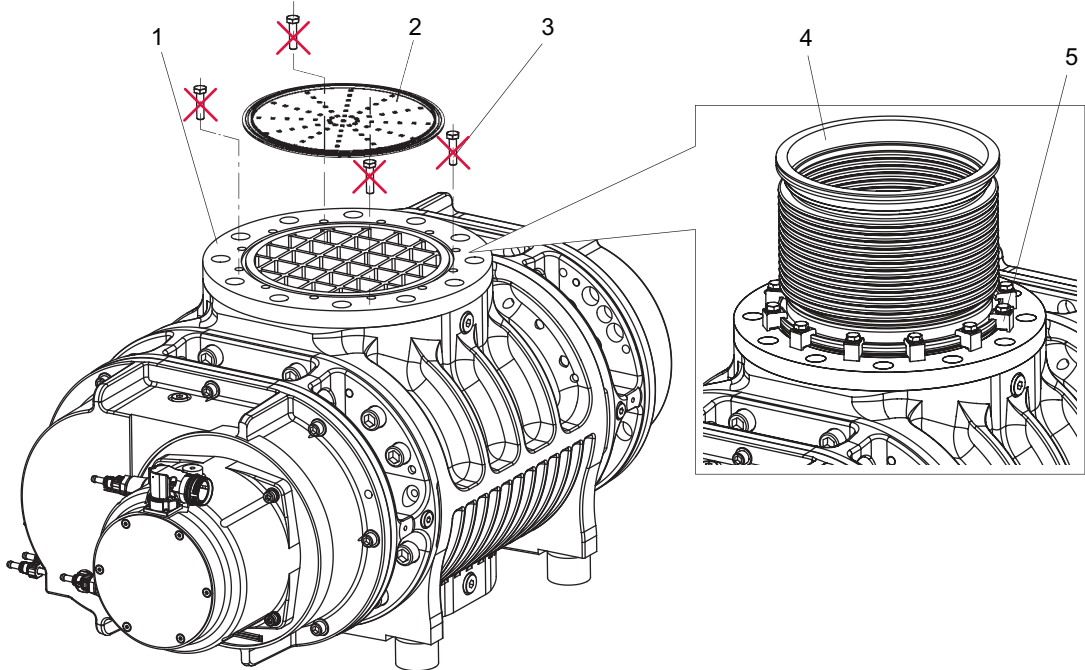


Fig. 8: Connecting the vacuum side to ISO-F

- | | |
|----------------------------|---------------------------------|
| 1 Reinforcing flange | 4 Corrugated bellows, or piping |
| 2 Protective strainer | 5 Lugs with screws |
| 3 Locking screws, M10 × 40 | |

Connecting vacuum side

1. Degrease the connection flange.
2. Clear welded lines of any scaling, loose particles etc. prior to installation.
3. Remove the locking screws after transport.
4. Install a protective strainer if applicable.
5. Install the corrugated bellows or piping with the claw clamps and screws included in the scope of delivery.
 - Tightening torque: **45 Nm**.
6. With PN flanges, remember to include **all** specified screws and flange components in accordance with pressure stage PN16.

7. Route the piping between the vacuum pump and vacuum chamber so that it remains as short as possible; at a minimum, the nominal diameter of the pump flange.
8. Select a larger nominal diameter for pipe lengths > 5 m.
9. Support or suspend the piping to the vacuum pump so that no piping system forces act on the vacuum pump.

5.5 Connecting the fore-vacuum side

WARNING

Risk of crushing from rotating parts

Fingers and hands may be caught by rotating pistons within the connection flange. This results in severe injuries.

- ▶ Keep limbs out of the reach of the roots pump.

CAUTION

Danger of injury from bursting as a result of high pressure in the exhaust line

Faulty or inadequate exhaust pipes lead to dangerous situations, e.g. increased exhaust pressure. There is a danger of bursting. Injuries caused by flying fragments, the escaping of high pressure, and damage to the unit cannot be excluded.

- ▶ Route the exhaust line without shut-off units.
- ▶ Observe the permissible pressures and pressure differentials for the product.
- ▶ Check the function of the exhaust line on a regular basis.

NOTICE

Risk of damage from gas backflow into the roots pump

Due to the backflow of process gas, the electronic equipment is susceptible to irreversible damage caused by regenerative energy produced with rotation of the piston.

- ▶ Equip the vacuum pump with a facility that prevents the backflow of gases.
- ▶ Use, e.g. a shut-off facility on the fore-vacuum side and block the line directly after switching off the vacuum pump.
- ▶ As an alternative, use a backing pump with integrated vacuum safety valve.

Required tools

- Ring spanner, **WAF 16** for flange DN 160 ISO-F and DN 250 ISO-F
- Ring spanner, **WAF 30** for flange DN 160 PN16 and DN 250 PN16



Condensate separator

Pfeiffer Vacuum recommends installing a condensate separator, with condensate drain at the lowest point of the exhaust line.

Connecting the fore-vacuum side

1. Choose a minimum pipe cross section equal to the nominal diameter of the pressure flange.
2. Clear welded lines of any scaling, loose particles etc. prior to installation.
3. Route the pipes so that no mechanical stresses can act on the roots pump or the backing pump.
4. Install a bellows in the piping if necessary.
5. Ensure that mating flanges are in a parallel position.
6. Install the pipes downward from the vacuum pump, so that condensate does not flow back in.

5.6 Making cooling water connection

⚠ WARNING

Risk of scalding from suddenly escaping hot cooling water

The cooling water connections are open to both sides. When connecting the cooling water supply, there is a risk of scalding from the sudden escape of overpressurized hot water.

- ▶ Prior to installation, ensure that pressure is discharged from the cooling water system, and that it is cooled down.
- ▶ Wear protective equipment, e.g., safety goggles and gloves.

Parameter	Cooling water
Appearance	<ul style="list-style-type: none"> ● filtered ● mechanically clear ● visually clear ● no turbidity ● no sediment ● free from grease and oil
pH value	7 to 9
Carbonate hardness, max.	10 °dH 12.53 °e 17.8 °fH 178 ppm CaCO ₃
Chloride content, max.	100 mg/l
Sulfate content, max.	240 mg/l
Carbonic acid content, max.	not detectable
Ammonia content, max.	not detectable
Electrical conductivity, max.	500 µS/cm
Particle size, max.	150 µm
Cooling water temperature	see "Technical data"
Cooling water flow	see "Technical data"
Cooling water pressure, max.	6000 hPa

Tbl. 5: Requirements on the cooling water composition

There are two possible versions for the design of the cooling water circuit:

Connection to HiLobe	Type of cooling water circuit
Quick fitting coupling for hose cable 6 × 8	Connecting line switched in series
Quick fitting coupling for hose cable 6 × 8	Connecting line switched parallel (optional)

Tbl. 6: Version of the cooling water circuit

i **Pressure test**

Perform a pressure test following installation and all subsequent work on the cooling water connections:

- Test pressure: 1×10⁴ hPa

Prerequisites

- The cooling system provided by the customer is closed and depressurized.
- The provided hose connections correspond to the HiLobe connections.

Consumables

- Cooling water hoses 6×8
- Hose clamps 6×

Required tools

- Screwdriver

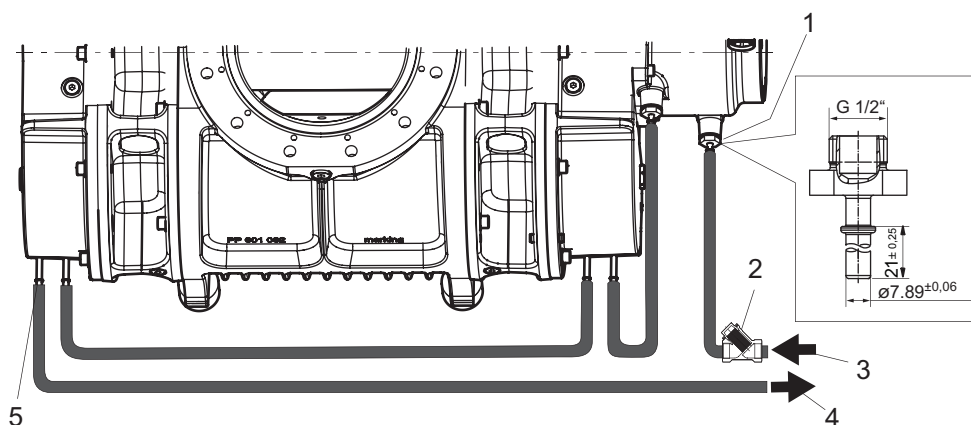


Fig. 9: Cooling water connection

- | | |
|-----------------------|------------------------|
| 1 Cooling water inlet | 4 Return line |
| 2 Dirt trap | 5 Cooling water outlet |
| 3 Feed line | |

Procedure

Pfeiffer Vacuum recommends the use of a dirt trap in the supply line.

1. Connect the cooling water supply line to the hose nozzle of the quick fitting coupling at the designated cooling water inlet.
2. Connect the cooling water return line to the hose nozzle of the quick fitting coupling at the designated cooling water outlet.
3. Secure the hose lines on the roots pump with hose clamps.

5.7 Connecting switch box

⚠ CAUTION

Electric shock and damage to the vacuum pump and electronic drive unit due to improper connection and disconnection of components

With existing power supply connection to the switch box, there is a risk of electric shock when making contact with the motor connecting plug. Even after the power supply has been switched off, the vacuum pump continues to deliver electrical energy during its run-down period. If the units are disconnected prematurely, there is the risk of electric shock, and destruction of electric components.

- ▶ Always interrupt the power supply connection at the switch box before connecting the power supply plug to the motor.
- ▶ With existing power supply connection to the switch box or when the pistons are running, never disconnect the motor connecting plug.
- ▶ After switching off, wait at least another 5 minutes until the capacitors have discharged before separating the cable connection.

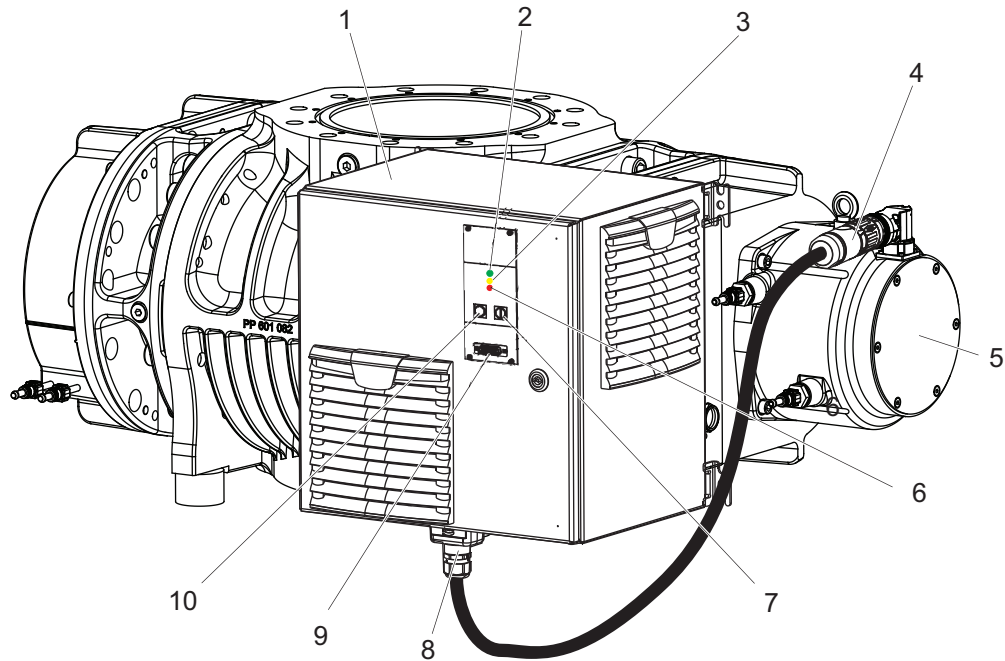




Fig. 10: Connecting switch box

- | | |
|--------------------------|--|
| 1 Switch box | 6 Status LED, red |
| 2 Status LED, green | 7 On/off button  |
| 3 Status LED, yellow | 8 Mains connection |
| 4 Motor connecting cable | 9 "Remote" interface |
| 5 Motor | 10 Stand-by button  |

Connect the motor connecting cable

- ▶ Connect the motor connecting cable to the motor.

5.8 Connecting temperature sensors

For temperature monitoring, the roots pump has a temperature sensor on each of the two oil chambers. A further temperature sensor monitors the gas temperature at the fore-vacuum flange.

Required tools

- Allen key, **WAF 27**

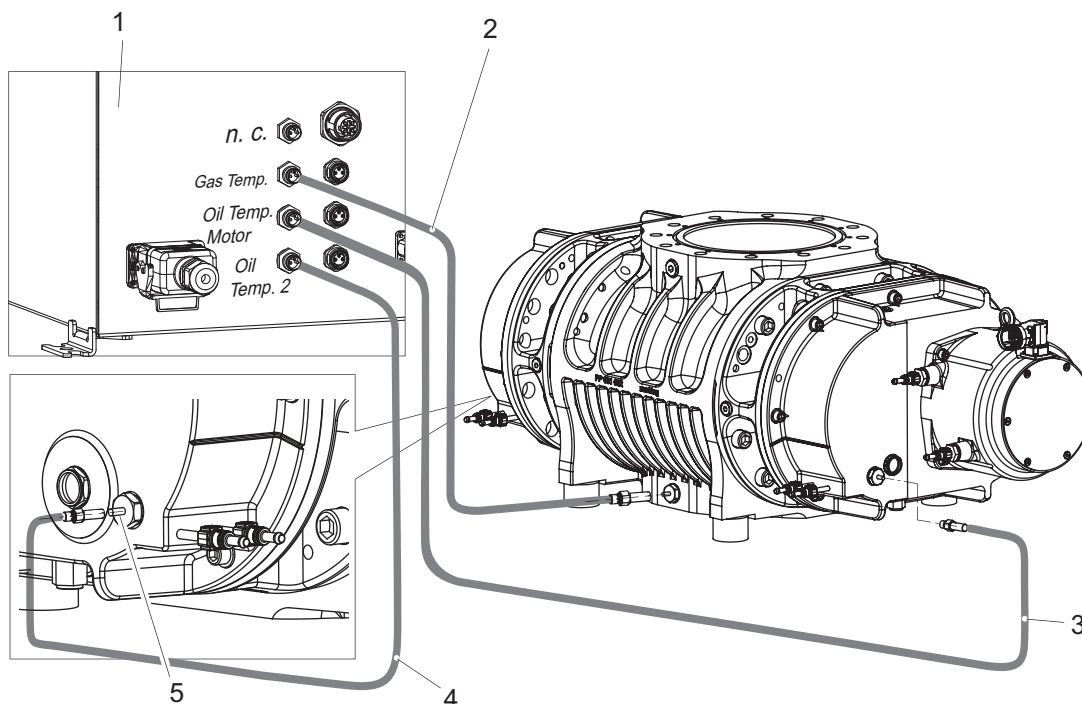


Fig. 11: Connecting temperature sensors

- | | |
|--|--|
| 1 Electronic drive unit | 3 Connecting cable temperature sensor motor side |
| 2 Connecting cable, gas temperature sensor | 4 Connecting cable, temperature sensor 2 |

Connecting temperature sensors

- ▶ Connect the temperature sensors on both oil chambers to the matching connections on the electronic drive unit.
- ▶ Connect the gas temperature sensors on the fore-vacuum flange to the matching connection on the switch box.

5.9 Connecting accessories



Installation and operation of accessories

Pfeiffer Vacuum offers a series of special, compatible accessories for its roots pumps.

- Information and ordering options for approved [accessories](#) can be found online.
- Described accessories are not included in the shipment.

5.10 Connecting to mains power supply

⚠ DANGER

Danger to life from electric shock

Touching exposed and voltage-bearing elements causes an electric shock. Improper connection of the mains supply leads to the risk of touchable live housing parts. There is a risk to life.

- ▶ Before the installation, check that the connection leads are voltage-free.
- ▶ Make sure that electrical installations are only carried out by qualified electricians.
- ▶ Provide adequate grounding for the device.
- ▶ After connection work, carry out an earthed conductor check.

⚠ WARNING

Risk of fatal injury due to electric shock on account of incorrect installation

The device's power supply uses life-threatening voltages. Unsafe or improper installation can lead to life-threatening situations from electric shocks obtained from working with or on the unit.

- ▶ Ensure safe integration into an emergency off safety circuit.
- ▶ Do not carry out your own conversions or modifications on the unit.

i

Electromagnetic compatibility

The electronic drive unit of the vacuum pump complies with the conditions of standard IEC 61000-3-12 stipulating that the permissible short-circuit capacity is observed at the supply terminal of the customer's system with the public network.

- Do not install the vacuum pump in living areas as the electronic drive unit does not provide any protection for the radio reception.
- Ensure that the vacuum pump is connected only to a supply terminal featuring a short-circuit capacity of **Ssc ≥ 351**.
- If necessary, consult the distribution network operator.

The vacuum pumps are intended for operation only with original electronic drive unit and frequency converter. The respectively valid input voltage range can be seen on the rating plate.

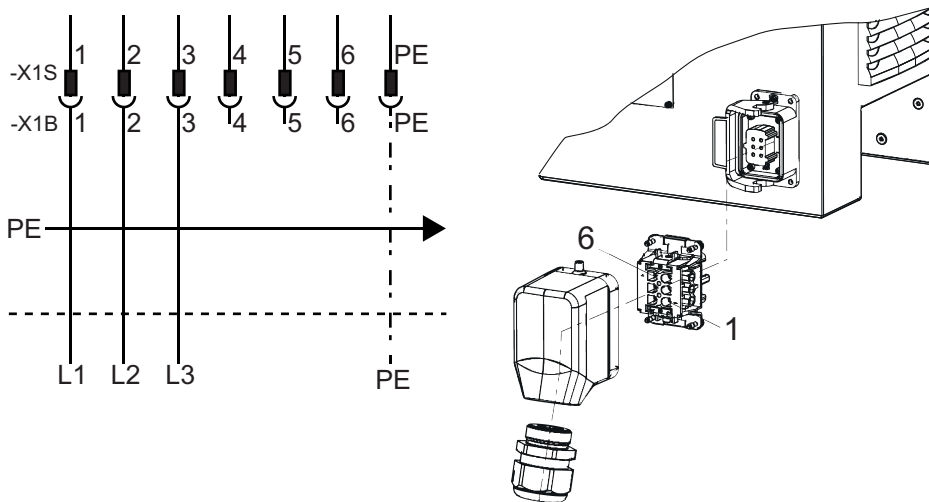


Fig. 12: Mains connection pin assignment

- | | |
|------------|----------------------|
| 1 Phase L1 | 5 n. c. |
| 2 Phase L2 | 6 n. c. |
| 3 Phase L3 | PE Earthed conductor |
| 4 n. c. | |

Electronic drive unit	L1 L2 L3 and PE cable cross section	Dielectric strength	Flammability properties
RC 5500	≥ 2.5 mm ²	≥ 600 V	flame-retardant
RC 7500 / RC 11000	≥ 6.0 mm ²		
RC 15000	≥ 10.0 mm ²		

Tbl. 7: Required properties of the power supply cable

Connecting to mains power supply

- ▶ Ensure the correct supply voltage.
- ▶ Assemble your own power supply cable using the original power supply connector from the scope of delivery.

6 Interfaces

6.1 "Remote" interface

NOTICE

Property damage on the electronics

Separating all plug-and-socket connections within the bus system with voltage supply switched on may lead to the destruction of electronic components.

- ▶ Always disconnect the voltage supply before removing the connecting plug.
- ▶ After switching off the power supply pack, wait until the residual load has dispersed completely before disconnecting the plug-and-socket connection.

The 15-pin sub-D connection with the "remote" designation offers the possibility to operate the electronic drive unit via remote control. The following specifications are the factory settings for the electronic drive unit. They can be configured with the Pfeiffer Vacuum parameter set.

- ▶ Utilize the screened plug and cable.

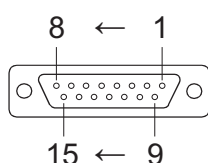


Fig. 13: Pin assignment of the D-Sub socket, 15-pin

Pin	Function	Description, factory setting
1	n.c.	
2	DI access request	V+: Control via DIs, --> GND/open: Control unlocked
3	DI1	V+: Rotation speed setting mode, --> GND/open: no rotation speed setting mode
4	n.c.	
5	DI pumping station	V+: Vacuum pump on, --> GND/open: Vacuum pump off
6	DI stand-by	V+: Stand-by, --> GND/open: no stand-by
7	+24 V DC output (V+)	Reference voltage for all digital inputs (5 W max.)
8	DO1	GND: Error, V+: no error (current max. 80 mA)
9	DO2	GND: Vacuum pump off, V+: Vacuum pump on (current max. 80 mA)
10	n.c.	
11	n.c.	
12	n.c.	
13	RS-485	D+
14	RS-485	D-
15	Ground (GND)	Ground connection of the voltage supply; reference ground for all digital inputs and outputs

Tbl. 8: Plug arrangement of the D-Sub socket, 15-pin

6.1.1 Voltage output

24 V DC output / pin 7: Inputs 2 to 6 are activated if they are connected to pin 7 (active high) with +24 VDC. They can also be activated via an external PLC. The functions are deactivated by "PLC high level" and by "PLC low level".

- PLC High level: +13 V to +33 V
- PLC Low level: -33 V to +7 V
- Ri: 7 kΩ
- $I_{\max} < 200$ mA

6.1.2 Inputs

The digital inputs switch various electronic drive unit functions. Inputs are assigned with functions ex-factory. You can configure them via the RS-485 interface and the Pfeiffer Vacuum parameter set.

DI remote priority/pin 2

V+: The "remote" connection has control priority over all other control sources.
 open Remote priority "inactive"

DI1 (rotation speed setting mode)/pin 3

V+: Rotation speed setting mode "active"
 open Rotation speed setting mode "inactive"

DI pumping station/pin 5

V+: Vacuum pump on.
 Control of all components connected and malfunction acknowledgement.
 open Vacuum pump off

DI stand-by / pin 6

V+: Stand-by activated
 The stand-by rotation speed is fixed at 30 Hz.
 GND/openStand-by off

6.1.3 Outputs

The digital outputs have a maximum load limit of 24 V/80 mA per output. All outputs listed are configurable with the Pfeiffer Vacuum parameter set via the RS-485 interface (description relates to factory settings).

DO1/Pin 8

V+: No errors
 After applying the voltage supply, the digital output DO1 permanently outputs V+ meaning which means "no error".
 GND Error
 "Active low" signifies "Error" (common error message).

DO2/Pin 9

V+: Vacuum pump on
 "Active high" means "Vacuum pump on" and rotates at set rotation speed.
 Example: use the signal for the message vacuum pump "Ready for operation".
 GND: Vacuum pump off

6.1.4 RS-485

Connecting RS-485 via D-Sub

- ▶ Connect a Pfeiffer Vacuum control unit or an external PC via pin 13 and pin 14 at the D-Sub connection of the electronic drive unit.

6.2 Using RS-485 interface

⚠ DANGER

Danger to life from electric shock

When establishing the voltages that exceed the specified safety extra-low voltage (according to IEC 60449 and VDE 0100), the insulating measures will be destroyed. There is a danger to life from electric shock at the communication interfaces.

- ▶ Connect only suitable devices to the bus system.

The interface designated “RS-485” is intended for connecting a Pfeiffer Vacuum control unit or an external PC. The connections are galvanically safe and are isolated from the maximum supply voltage for the electronic drive unit.

Designation	Value
Serial interface	RS-485
Baud rate	9600 Baud
Data word length	8 bit
Parity	none (no parity)
Start bits	1
Stop bits	1

Tbl. 9: Features of the RS-485 interface

Connecting Pfeiffer Vacuum control units or a PC

- ▶ Use the connection cable from the scope of delivery of the control unit or from the [Pfeiffer Vacuum accessories](#).
- ▶ Connect a control unit to the RS-485 interface.
- ▶ Connect a PC via the USB/RS-485 converter.

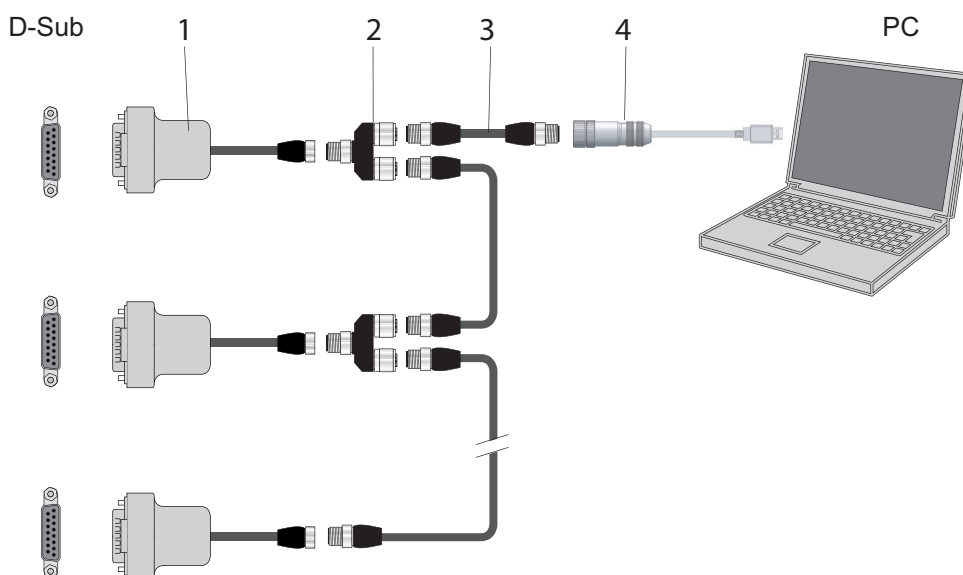


Fig. 14: Cross-link via connection RS-485 using connection cables and accessories

- 1 RS-485 to M12 adapter
- 2 Y-connector for RS-485
- 3 M12 to M12 interface cable
- 4 USB RS-485 converter

Networking as RS-485 bus

The group address for the electronic drive unit is **902**.

1. Install the devices according to the specification for RS-485 interfaces.
2. Make sure that all devices connected to the bus have different RS-485 device addresses [**P:797**].
3. Connect all devices with RS-485 D+ and RS-485 D- to the bus.

6.3 Pfeiffer Vacuum protocol for RS-485 interface

6.3.1 Telegram frame

The telegram frame of the Pfeiffer Vacuum protocol contains only ASCII code characters [32; 127], the exception being the end character of the telegram C_R . Basically, a host (e.g. a PC) sends a telegram, which a device (e.g. electronic drive unit or gauge) responds to.

a2	a1	a0	*	0	n2	n1	n0	l1	l0	dn	...	d0	c2	c1	c0	C_R
----	----	----	---	---	----	----	----	----	----	----	-----	----	----	----	----	-------

a2 – a0	Device address ○ <ul style="list-style-type: none"> Individual address of the unit ["001";"255"] Group address "9xx" for all identical units (no response) Global address "000" for all units on the bus (no response)
*	Action according to telegram description
n2 – n0	Pfeiffer Vacuum parameter numbers
l1 – l0	Data length dn to d0
dn – d0	Data in the respective data type (see chapter "Data types", page 37).
c2 – c0	Checksum (sum of ASCII values of cells a2 to d0) modulo 256
C _R	carriage return (ASCII 13)

6.3.2 Telegram description

Data query --> ○ ?

a2	a1	a0	0	0	n2	n1	n0	0	2	=	?	c2	c1	c0	C _R
----	----	----	---	---	----	----	----	---	---	---	---	----	----	----	----------------

Control command --> ○ !

a2	a1	a0	1	0	n2	n1	n0	l1	l0	dn	...	d0	c2	c1	c0	C _R
----	----	----	---	---	----	----	----	----	----	----	-----	----	----	----	----	----------------

Data response / Control command understood ○ -->

a2	a1	a0	1	0	n2	n1	n0	l1	l0	dn	...	d0	c2	c1	c0	C _R
----	----	----	---	---	----	----	----	----	----	----	-----	----	----	----	----	----------------

Error message ○ -->

a2	a1	a0	1	0	n2	n1	n0	0	6	N	O	_	D	E	F	c2	c1	c0	C _R
										_	R	A	N	G	E				
										_	L	O	G	I	C				

- NO_DEF Parameter number n2–n0 no longer exists
- _RANGE Data dn–d0 outside the permissible range
- _LOGIC Logical access error

6.3.3 Telegram example 1

Data query

Current rotation speed (parameter [P:309], device address: "123")

--> ○ ?	1	2	3	0	0	3	0	9	0	2	=	?	1	1	2	C _R
ASCII	49	50	51	48	48	51	48	57	48	50	61	63	49	49	50	13

Data response: 633 Hz

Current rotation speed (parameter [P:309], device address: "123")

○ -->	1	2	3	1	0	3	0	9	0	6	0	0	6	3	3	0	3	7	C _R
ASCII	49	50	51	49	48	51	48	57	48	54	48	48	54	51	51	48	51	55	13

6.3.4 Telegram example 2


Control command

Switch on the pumping station (parameter [P:010], device address: "042")

--> ○ !	0	4	2	1	0	0	1	0	0	6	1	1	1	1	1	1	0	2	0	C _R
ASCII	48	52	50	49	48	48	49	48	48	54	49	49	49	49	49	49	48	50	48	13

Control command understood

Switch on the pumping station (parameter [P:010], device address: "042")

○ --> 	0	4	2	1	0	0	1	0	0	6	1	1	1	1	1	1	0	2	0	c _R
ASCII	48	52	50	49	48	48	49	48	48	54	49	49	49	49	49	49	48	50	48	13

6.3.5 Data types

No.	Data type	Description	Length l1 – l0	Example
0	boolean_old	Logical value (false/true)	06	000000 is equivalent to false 111111 is equivalent to true
1	u_integer	Positive whole number	06	000000 to 999999
2	u_real	Fixed point number (unsigned)	06	001571 corresponds with 15.71
4	string	Any character string with 6 characters. ASCII codes between 32 and 127	06	TC_110, TM_700
6	boolean_new	Logical value (false/true)	01	0 is equivalent to false 1 is equivalent to true
7	u_short_int	Positive whole number	03	000 to 999
10	u_expo_new	Positive exponential number. The last of both digits are the exponent with a deduction of 20.	06	100023 is equivalent to $1,0 \cdot 10^3$ 100000 is equivalent to $1,0 \cdot 10^{-20}$
11	string16	Any character string with 16 characters. ASCII codes between 32 and 127	16	BrezelBier&Wurst
12	string8	Any character string with 8 characters. ASCII codes between 32 and 127	08	Example

7 Parameter set

7.1 General

Important settings and function-related characteristics are factory-programmed into the electronic drive unit as parameters. Each parameter has a three-digit number and a description. The parameter can be accessed via Pfeiffer Vacuum control units or externally via RS-485 using Pfeiffer Vacuum protocol.

The vacuum pump starts in standard mode with factory default pre-set parameters.



Non-volatile data storage




When switching off or in the event of unintentional voltage drop, the **parameters** and the operating hours stay saved in the electronics.

#	Three digit number of the parameter
Indicator	Display of parameter description
Description	Brief description of the parameters
Functions	Function description of the parameters
Data type	Type of formatting of the parameter for the use with the Pfeiffer Vacuum protocol
Access type	R (read): Read access; W (write): Write access
Unit	Physical unit of the described variable
min. / max.	Permissible limit values for the entry of a value
default	Factory default pre-setting (partially pump-specific)
	The parameter can be saved persistently in the electronic drive unit

Tbl. 10: Explanation and meaning of the parameters







7.2 Control commands

#	Indicator	Designations	Functions	Data type	Access type	Unit	min.	max.	default	
002	Stand-by	Stand-by	0 = off 1 = on	0	RW		0	1	0	✓
009	ErrorAckn	Malfunction acknowledgment		0	W		1	1		
010	PumpgStatn	Pump	0 = off 1 = on	0	RW		0	1	0	
013	BrakeOn	Activate braking resistance	0 = off 1 = on	0	RW		0	1	1	✓
019	Cfg DO2	Output DO2 configuration	1 = No error 2 = Error 5 = Set rotation speed reached 6 = Pump on 9 = "0" 10 = "1" 11 = Remote priority active	7	RW		0	20	6	✓
024	Cfg DO1	Output DO1 configuration	Settings, see [P:019]	7	RW		0	20	1	✓
026	SpdSetMode	Rotation speed setting mode	0 = off 1 = on	7	RW		0	1	0	✓

#	Indicator	Designations	Functions	Data type	Access type	Unit	min.	max.	de- fault	
056	VentOnOff	Fan	0 = off 1 = on valid only for pumps with fan	0	RW		0	1	1	
060	CtrlVialnt	Operate via interface	1 = remote 2 = RS-485 4 = PV.can 32 = Keys on the front panel 255 = Interface selection	7	RW		1	255	1	
061	IntSelLckd	Interface selection locked	0 = off 1 = on	0	RW		0	1	0	
095	FactoryReset	Factory settings	0 = no 1 = yes, only possible while stationary	0	RW		0	1	0	no

Tbl. 11: Parameter set | Control commands

7.3 Status requests

#	Indicator	Designations	Functions	Data type	Access type	Unit	min.	max.	de- fault	
303	Error code	Error code		4	R					
309	ActualSpd	Actual rotation speed (Hz)		1	R	Hz				
310	DrvCurrent	Supply current	Current in (A)	2	R	A				
311	OpHrsPump	Pump operating hours		1	R	h				
312	Fw version	Software version interface circuit board		4	R					
313	DrvVoltage	Supply voltage	Voltage in (V)	2	R	V				
315	Nominal Spd	Nominal rotation speed (Hz)		1	R	Hz				
316	DrvPower	Drive power	Output in (W)	1	R	W				
324	TempPwrstg	Temperature power electronics		1	R	°C				
342	TempOilL	Current oil temperature, floating bearing side	Temperature (in °C)	1	R	°C				
343	TempExhGas	Current exhaust gas temperature	Temperature (in °C)	1	R	°C				
347	TempOilF	Current oil temperature, fixed bearing side	Temperature (in °C)	1	R	°C				
349	ElecName	Device name designation		4	R					
354	HW Version	Hardware version interface circuit board		4	R					
360	ErrHist1	Error code history, item 1		4	R					
361	ErrHist2	Error code history, item 2		4	R					
362	ErrHist3	Error code history, item 3		4	R					
363	ErrHist4	Error code history, item 4		4	R					

#	Indicator	Designations	Functions	Data type	Access type	Unit	min.	max.	de-fault	
364	ErrHist5	Error code history, item 5		4	R					✓
389	ActTorque	Current torque		2	R	Nm				
398	ActualSpd	Actual rotation speed (rpm)		1	R	rpm				
399	NominalSpd	Nominal rotation speed (rpm)		1	R	rpm				

Tbl. 12: Parameter set | Status requests

7.4 Reference value inputs

#	Indicator	Designations	Functions	Data type	Access type	Unit	min.	max.	de-fault	
706	DefaultSpd	Specification in normal operation	Rotation speed as a % of the nominal speed	2	RW	%	25	100	100	✓
707	SpdSVal	Set value in rotation speed setting mode	Set rotation speed as % of nominal rotation speed	2	RW	%	25	100	75	✓
708	MotTorSVal	Torque specification	Start-up torque in %	2	RW	%	50	100	100	✓
717	StdbySVal	Specification in stand-by operation	Rotation speed as a % of the nominal speed	2	RW	%	12	100	30	✓
797	RS485Adr	RS-485 Interface address		1	RW		1	255	1	✓

Tbl. 13: Parameter set | Reference value inputs

7.5 Additional parameters for the control unit



Additional parameters in the control unit

The basic parameter set is set in the electronic drive unit ex-factory. For controlling connected external components (e.g. vacuum measuring equipment), additional parameters (extended parameter set) are available in the corresponding Pfeiffer Vacuum control units.

- Refer to the corresponding operating instructions of the respective components.
- Select the extended parameter set with parameter **[P:794] = 1**.

#	Indicator	Description	Functions	Data type	Access type	Unit	min.	max.	de-fault	
340	Pressure	Actual pressure value (ActiveLine)		7	R	hPa	1·10 ⁻¹⁰	1·10 ³		
350	Ctr Name	Control unit type		4	R					
351	Ctr Software	Control unit software version		4	R					
738	Gauge type	Type of pressure gauge		4	RW					
794	Param set	Parameter set	0 = Basic parameter set 1 = Extended parameter set	7	RW		0	1	0	
795	Servicelin	Insert service line		7	RW				795	

Tbl. 14: Parameters for control unit functions

8 Operation

8.1 Commissioning vacuum pump

WARNING

Danger of poisoning due to toxic process media escaping from the exhaust pipe

During operation with no exhaust line, the vacuum pump allows exhaust gases and vapors to escape freely into the air. There is a risk of injury and fatality due to poisoning in processes with toxic process media.

- ▶ Observe the pertinent regulations for handling toxic process media.
- ▶ Safely purge toxic process media via an exhaust line.
- ▶ Use appropriate filter equipment to separate toxic process media.

CAUTION

Danger of burns on hot surfaces

Depending on the operating and ambient conditions, the surface temperature of the vacuum pump can increase to above 70 °C. If access to the vacuum pump is unrestricted, there is a danger of burns due to contact with hot surfaces.

- ▶ Install suitable touch protection if the vacuum pump is accessible to untrained persons.
- ▶ Allow the vacuum pump to cool down before carrying out any work.
- ▶ Contact Pfeiffer Vacuum for suitable touch protection in system solutions.

Observe before switching on

- Check the lubricant levels on both sight glasses.
- Make sure that the suction chamber is free from all foreign matters.
 - Protect the vacuum pump from sucking in contaminants using suitable measures (e.g. dust filter).
- Check the vacuum pump for visible damage and put the vacuum pump into operation only in a correct state.
- Make sure that the shut-off units on the pressure side open before starting the pump.
- Check the plausibility of the measured values for oil temperature and gas temperature.


8.2 Switching on the vacuum pump

The "Pumping station" parameter **[P:010]** comprises operation of the vacuum pump with control of all connected interfaces and configurations.

Procedure

After successfully completing the self-test, the electronic drive unit resets pending and corrected error messages.

You can switch on the vacuum pump in every pressure range, between atmospheric pressure and ultimate pressure.

1. Switch the voltage supply on.
2. Switch the vacuum pump on by pressing the  button once.
3. Allow the vacuum pump to warm up prior to process start, with the vacuum flange closed, for approx. 30 minutes.

Alternative: Switch on via the Pfeiffer Vacuum parameter

- ▶ Set the parameter **[P:010]** to the value "1".

8.3 Adjusting sealing gas amount

⚠ WARNING

Risk of injury from reactive, potentially explosive or other hazardous gas/air mixtures

Uncontrolled gas inlet of air or gases containing oxygen provides ideal conditions for the formation of unexpected explosive gas/air mixtures in the vacuum system. This results in severe injuries.

- ▶ Use only inert gases for supplying the sealing gas supply in order to avoid a potential ignition.

NOTICE

Property damage from impermissibly high sealing gas pressure

Excessive sealing gas pressure leads to damage to the seals after switching on the vacuum pump.

- ▶ Make sure that the sealing gas pressure inside the pump does not exceed 1200 hPa.
- ▶ Stop the sealing gas supply immediately after switching off the vacuum pump.



Notes on using sealing gas

The set quantity of sealing gas influences effective pumping speed and achievable ultimate pressure. Depending on the operating pressure, the empirical value for the supplied sealing gas amount is between 1 % (for a high operating pressure) and 8 % (for a lower operating pressure) of the effective suction capacity.

- Use inert gases such as nitrogen (N₂).

Procedure

1. Open the sealing gas supply on the gas cylinder.
2. Set a max. pressure of 2500 hPa on the pressure reducer.
3. Set the desired quantity of sealing gas on the dosing valve of the flow meter.

Formula for calculating sealing gas flow:

$$Q_S = (S_{th} \times p \times A_S) / p_0$$

- Q_S = Sealing gas flow under standard conditions [Nm³/h]
- p = Intake pressure [hPa]
- p₀ = Ambient pressure under standard conditions [hPa]
- Δp = Differential pressure max. [hPa]
- p_V = Fore-vacuum pressure [hPa]
- A_S = Sealing gas content at the operating gas flow (0.01 ≤ A_S ≤ 0.08)
- S_{th} = Rated volume flow rate of the roots pump [m³/h]

Example for HiLobe 1400x with e.g. 20 hPa intake pressure and 8 % sealing gas content

$$Q_S = (13540 \times 20 \times 0.08) / 1013$$

$$Q_S = 21.39 \text{ Nm}^3/\text{h}$$

At discharge pressures > 100 hPa:

$$Q_S = (S_{th} \times (p_V - \Delta p) \times A_S) / p_0$$

8.4 Configuring the connections with the Pfeiffer Vacuum parameter set

The electronic drive unit is pre-configured with the factory default basic functions and is ready for operation. For individual requirements, you can configure most connections for the electronic drive unit with the parameter set.

Configure the digital outputs

- ▶ Perform the configuration as per the following table:

Option	Description
1 = No error	active, with trouble-free operation
2 = Error	active, if the error message is active
5 = Set rotation speed reached	active, once the set rotation speed is reached

Option	Description
6 = Pump on	active, if pump on, motor on and no error
9 = always 0	GND for the control of an external device
10 = always 1	V+ for the control of an external device
11 = Remote	active, if the remote priority is active

Tbl. 15: Configuration with parameters [P:019] and [P:024]

Configure the interface

- ▶ Perform the configuration as per the following table:

Option [P:060]	Description
1 = remote	Operation via connection "remote"
2 = RS-485	Operation via connection "RS-485"
4 = PV.can	For service purposes only
32 = Keys on the front panel	Manual operation
Option [P:061]	
0 = off	Interface selection can be set via [P:060].
1 = on	Interface selection locked

Tbl. 16: Configuration with parameters [P:060] and [P:061]

8.5 Operating modes

The following operating modes are possible:

- Operating without control unit
- Operation via an external control unit
- Operation via RS-485 and Pfeiffer Vacuum display and control unit or PC



Automatic start

After bypassing the contacts at pins 2, 7 and 5 on the "remote" connecting plug or when using a connecting cable with respective bridges and applying the supply voltage, the vacuum pump starts up immediately.

Pfeiffer Vacuum therefore recommends switching on the voltage supply immediately before operation.

Operate without control unit

- ▶ Provide the current supply.

After applying the operating voltage, the vacuum pump carries out a self-test to check the supply voltage.

Operate via the external control

- ▶ Connect the remote control via the "remote" 15-pin D-Sub socket.

The control is carried out by means of "PLC level".

Operate with peripheral devices or PC

1. When handling the Pfeiffer Vacuum display and control units, observe the respective operating instructions:
 - Operating instructions at the [Download Center](#).
2. Connect the respective peripheral device to the 15-pin D-Sub socket.
3. Make the desired settings via the RS-485 using the peripheral device.

8.5.1 Normal operation



Permissible rotation speed range of the vacuum pump

Parameterization is subject to the permissible rotation speed range of the respective vacuum pump. The electronic drive unit regulates automatically to the next valid value.

The vacuum pump starts in normal operation with the pump-specific nominal rotation speed.

Set parameters

1. Set parameter **[P:002]** to "0".
2. Query the actual speed via parameter **[P:398]**.
3. Set the desired speed via parameter **[P:706]**.

8.5.2 Stand-by operation



Permissible rotation speed range of the vacuum pump

Parameterization is subject to the permissible rotation speed range of the respective vacuum pump. The electronic drive unit regulates automatically to the next valid value.

Pfeiffer Vacuum recommends stand-by operation for the vacuum pump during breaks in processes or production.

- If stand-by operation is active, the electronic drive unit reduces the rotation speed of the vacuum pump in the range of **12 to 100%** of the nominal speed.
- The factory configuration for stand-by is 30%.
- Stand-by operation has priority over rotation speed setting mode.

Set the stand-by rotation speed

1. Set the parameter **[P:717]** to the required value in %.
2. Set the parameter **[P:002]** to "1".
3. Query the actual speed via parameter **[P:398]**.

8.5.3 Rotation speed setting mode



Permissible rotation speed range of the vacuum pump

Parameterization in rotation speed setting mode is subject to the permissible rotation speed range of the respective vacuum pump. The electronic drive unit regulates automatically to the next valid value.

The set rotation speed is selected via the parameter **[P:707]** in the range **25 to 100 %** of the set rotation speed.

Rotation speed setting mode has priority over normal operation.






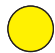


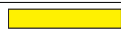
Set the rotation speed setting mode





1. Set the parameter **[P:707]** to the required value in %.
2. Set the parameter **[P:026]** to "1".
3. Query the set rotation speed via parameter **[P:309]** or **[P:398]**.

8.6 Operation monitoring

8.6.1 Operating mode display via LED

LEDs on the operator panel of the electronic drive unit indicate the respective operating status of the vacuum pump.

LED	Symbol	LED status	Display	Meaning
Green 		Off		without current
		On, flashing		"Pump OFF"
		On, constant		"Pump ON"
Yellow 		Off		no warning
		On, constant		Warning

LED	Symbol	LED status	Display	Meaning
Red 		Off		No errors
		On, constant		Error

Tbl. 17: Meaning of the LEDs

8.6.2 Temperature monitoring

Depending on the sensor type, temperature thresholds for warning and malfunction messages are stored immutably in the parameter set of the electronic drive unit. If a measured value exceeds the threshold, the vacuum pump is switched to a safe state.

Warnings


- With an oil temperature ($T > 85\text{ °C}$), only a "Warning" is issued.
- With a gas temperature ($T > 250\text{ °C}$), a "warning" is issued.

Malfunction messages

- With an oil temperature ($T > 95\text{ °C}$), the vacuum pump switches off with a "malfunction message".
- With a gas temperature ($T > 300\text{ °C}$), the vacuum pump switches off with a "malfunction message".
- If the oil temperature sensor is not connected or is defective, the vacuum pump does not start up and a **malfunction message** is displayed.

Acknowledge error - Query status

After cooling down, the vacuum pump does **not** start automatically.

- ▶ Switch the vacuum pump back on by pressing the  button or by setting parameter [P:010] to "1".

8.6.3 Check the lubricant level

Check the lubricant level

1. Regularly check the lubricant level while the vacuum pump is running and at operating temperature.
2. Make sure that the level is in the area at the center of the sight glass.
3. Check operating fluid fill level daily during continuous operation, and every time vacuum pump is switched on.

8.7 Switching off and venting

WARNING

Risk of crushing on rotating parts when reaching into the open flange

The pistons continue to run in the vacuum after switching off the motor, and can trap fingers and hands within their reach.

- ▶ Wait until the vacuum pump comes to a complete standstill.
- ▶ Secure the vacuum pump against re-start.

NOTICE

Risk of damage from gas backflow into the roots pump


Due to the backflow of process gas, the electronic equipment is susceptible to irreversible damage caused by regenerative energy produced with rotation of the piston.

- ▶ Equip the vacuum pump with a facility that prevents the backflow of gases.
- ▶ Use, e.g. a shut-off facility on the fore-vacuum side and block the line directly after switching off the vacuum pump.
- ▶ As an alternative, use a backing pump with integrated vacuum safety valve.

The "Pumping station" parameter **[P:010]** comprises operation of the vacuum pump with control of all connected interfaces and configurations.

Procedure with clean processes

You can switch off the vacuum pump in every pressure range, between atmospheric pressure and ultimate pressure directly after the process end.

1. Close the shut-off valve in the vacuum line and disconnect the vacuum pump from the process.
2. Switch the running vacuum pump off by pressing the  button once.
3. Vent the vacuum pump via the intake side to avoid the gas backstreaming.
4. Switch off the process- and pump-specific media supply (e.g. the sealing gas supply).

Alternative: Switch off via the Pfeiffer Vacuum parameter

- ▶ Set the parameter **[P:010]** to the value "0".

Procedure with contaminated medium

1. Close the shut-off valve in the vacuum line and disconnect the vacuum pump from the process.
2. At the end of the process, continue to operate the vacuum pump with flushing gas supply at the vacuum flange for another approx. 20 to 40 minutes.
 - Use dry air or nitrogen.
3. Then stop the flushing gas supply.
4. Switch off the vacuum pump.
5. Vent the vacuum pump via the intake side to avoid the gas backstreaming.
6. Switch off the process- and pump-specific media supply (e.g. the sealing gas supply).

9 Maintenance

9.1 Maintenance information

WARNING

Danger to life from electric shock during maintenance and service work

There is a danger to life from electric shock when making contact with live components that still exist after the vacuum pump has been switched off.

- ▶ Disconnect the vacuum pump safely from the mains.
- ▶ Wait until the vacuum pump comes to a standstill (rotation speed = 0).
- ▶ After switching off the vacuum pump, wait another 5 minutes until the capacitors have discharged.

WARNING

Risk of crushing from rotating parts

Fingers and hands may be caught by rotating pistons within the connection flange. This results in severe injuries.

- ▶ Keep limbs out of the reach of the roots pump.

NOTICE

Danger of property damage from improper maintenance

Unprofessional work on the vacuum pump will lead to damage for which Pfeiffer Vacuum accepts no liability.

- ▶ We recommend taking advantage of our service training offering.
- ▶ When ordering spare parts, specify the information on the nameplate.

Cleaning and maintenance work

- Cleaning/changing the air filter
- Cleaning the suction chamber and roots piston
- Changing lubricant
- Any more extensive tasks are part of maintenance **level 3**

Preparing maintenance

1. Switch off the vacuum pump.
2. Allow the vacuum pump to cool if needed
3. Vent the vacuum pump to atmospheric pressure via the intake side.
4. Disconnect the electronic drive unit from the mains.
5. Secure the electronic drive unit against re-start.
6. After switching off the vacuum pump, wait for at least another 5 minutes until the capacitors have discharged before starting any work.
7. Remove the vacuum pump from the system if necessary.

9.2 Checklist for inspection and maintenance



Maintenance frequency and service lives

Maintenance frequency and service lives are process-dependent. Chemical and thermic loads or contamination reduce the recommended reference values.

- Determine the specific service lives during the first operating interval.
- Consult with Pfeiffer Vacuum Service if you wish to reduce the maintenance frequency.



Maintenance level

We recommend that Pfeiffer Vacuum Service (PV) carry out maintenance work at level 3. Pfeiffer Vacuum will be released from all warranty and liability claims if maintenance work is not carried out properly. This also applies wherever parts other than original spare parts are used.

You can carry out maintenance work at **Maintenance Level 1** yourself.

Action	Inspection	Maintenance level 1	Maintenance level 3	Required Material
described in document	BA	BA	SI	
Interval	daily	≤ 1 year	every 4 years or after 35,000 operating hours	
Inspection				
Visual and acoustic pump test	■			
<ul style="list-style-type: none"> Checking lubricant level and color of the lubricant Checking vacuum pump for leaks 				
<ul style="list-style-type: none"> Check the vacuum pump for noises (quiet running) 	■			
Maintenance level 1 – lubricant change				
<ul style="list-style-type: none"> Changing lubricant 		■		Lubricant Maintenance kit 1
<ul style="list-style-type: none"> Replace the air filter (2x) on the electronic drive unit 		■		
Maintenance level 3 – overhaul				
<ul style="list-style-type: none"> Dismantling and cleaning vacuum pump Replace the seals and all wearing parts 			■ (PV)	Maintenance kit 3
Optionally: Cleaning the suction chamber				
Work on-site without removing the vacuum pump:	as required			Maintenance kit for Cleaning the suction chamber
<ul style="list-style-type: none"> clean the suction chamber and piston 				

Tbl. 18: Maintenance intervals



Scan this qr code or [click here](#) and see the service level 1, lubricant replacement.

9.3 Cleaning air filter

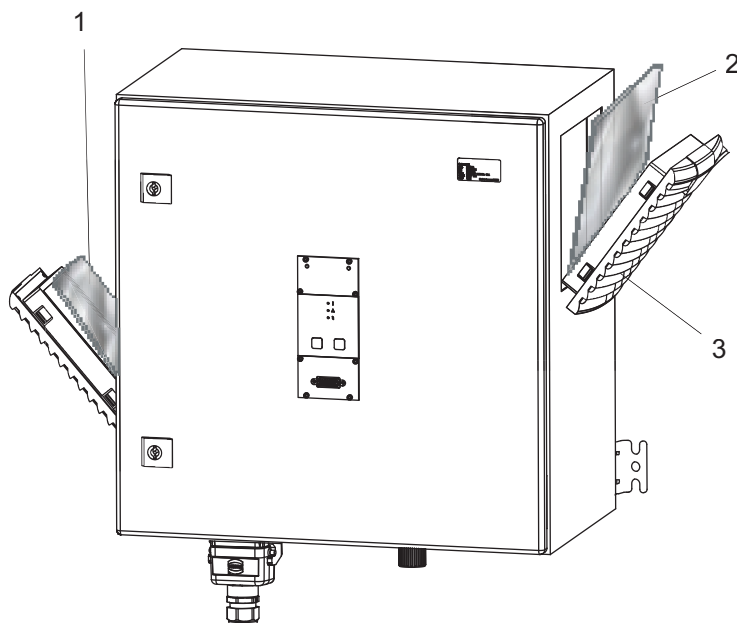


Fig. 15: Replace the filter mat of the fan

- | | |
|-------------------------|-----------------|
| 1 Air intake filter mat | 3 Louvre grille |
| 2 Air outlet filter mat | |

Required tools

- Screwdriver

Clean or replace filter

1. Carefully lever off the louver grille using a screwdriver.
2. Remove the filter mats.
3. Clean or replace the filter mats.
4. Pay attention to the intake side and outlet side of the louver grille.
 - The direction of flow is from the soft side of the filter mat to the rough side.
5. Close the louver grille.

9.4 Changing lubricant

⚠ WARNING

Health hazard and environmental damage from toxic contaminated lubricant

Toxic process media can cause lubricant contamination. When changing the lubricant, there is a health hazard due to contact with poisonous substances. Illegal disposal of toxic substances causes environmental damage.

- ▶ Wear suitable personal protective equipment when handling these media.
- ▶ Dispose of the lubricant according to locally applicable regulations.

⚠ WARNING

Danger of poisoning from toxic vapors

Igniting and heating synthetic lubricants generates toxic vapors. Danger of poisoning if inhaled.

- ▶ Observe the application instructions and precautions.
- ▶ Do not allow tobacco products to come into contact with the lubricant.

⚠ CAUTION

Scalding from hot lubricant
 Danger of scalding when draining lubricant if it comes into contact with the skin.
 ▶ Wear protective equipment.
 ▶ Use a suitable collection receptacle.



Pfeiffer Vacuum recommends determining the precise service life of the lubricant in the first operating year.
 The usable life may deviate from the reference value specified depending on thermic and chemical loads, or due to penetrating process media in gear and bearing chambers.



Safety data sheets
 You can obtain the safety data sheets for lubricants from Pfeiffer Vacuum on request, or from the [Pfeiffer Vacuum Download Center](#).

9.4.1 Draining lubricant

Required tools

- Allen key, **WAF 8**
- Ring spanner, **WAF 27**

Required aids

- Collection receptacle

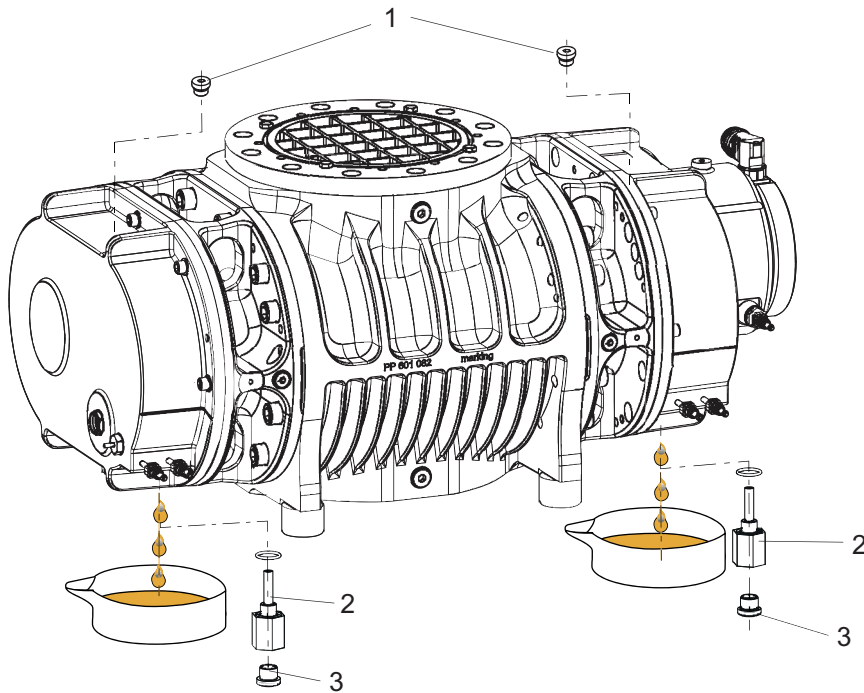


Fig. 16: Draining lubricant

- 1 Filler screws with seal
- 2 Drain screws with seal
- 3 Fill level limiter

Draining lubricant



Unscrew the fill level limiter
 To drain the lubricant, in addition to the drain screw, also unscrew the fill level limiter on the pump bottom side.

1. Make sure that there is sufficient space underneath the vacuum pump to place a collection receptacle for the lubricant.
2. Unscrew the filler screws.
3. Place the collection receptacle underneath.
4. Hold the fill level limiter with the ring spanner and unscrew the drain screw at the same time.
5. Unscrew the fill level limiter and allow the lubricant to drain.

9.4.2 Filling with lubricant

Required consumables

- Lubricant of the vacuum pump

Required tools

- Allen key, **WAF 8**
- Ring spanner, **WAF 27**

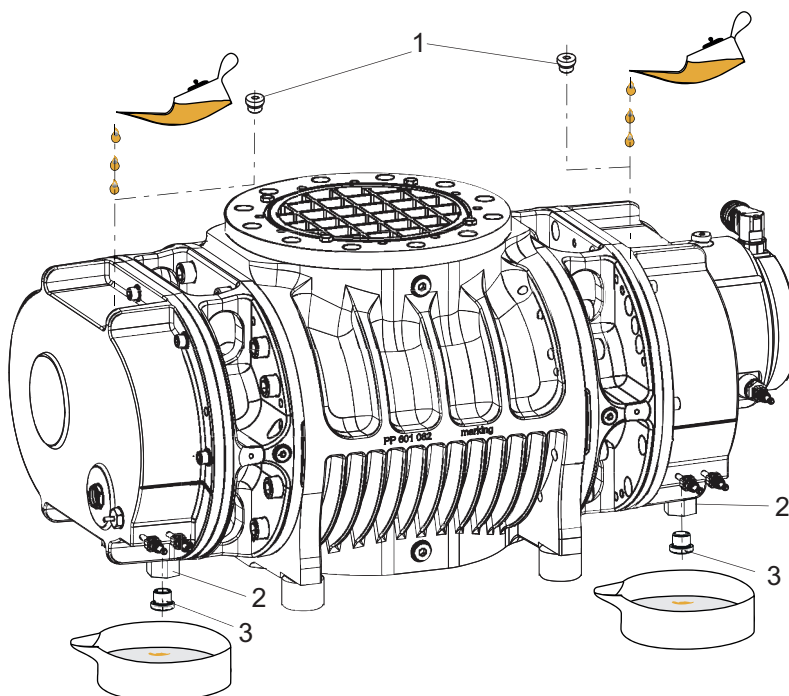


Fig. 17: Filling with lubricant

- | | |
|----------------------|----------------|
| 1 Filler screws | 3 Drain screws |
| 2 Fill level limiter | |

Filling with lubricant

1. Screw the fill level limiter back in.
2. Place a collection receptacle under each drain.
3. Fill the lubricant on both sides up to the maximum fill level.
 - Once full, lubricant overfills the fill level limiter, and drips out of the drain hole.
4. Screw the filler and drain screws back in.

10 Decommissioning

10.1 Shutting down for longer periods

Before shutting down the vacuum pump, observe the following instructions to adequately protect the interior of the vacuum pump (suction chamber) from corrosion:

Procedure for a longer downtime of the vacuum pump (> 1 year)

1. Allow the vacuum pump to cool down.
2. Clean suction chamber.
3. Change the lubricant.
4. Drain the cooling water and empty the cooling water chambers.
5. Seal the vacuum flange and fore-vacuum flange and any other openings with screw caps.
6. Evacuate the pump interior via the measurement connection on the vacuum side, to $p < 1$ hPa.
7. Fill the suction chamber with nitrogen.
8. Store the vacuum pump in dry, dust-free rooms, within the specified ambient conditions.
9. In rooms with damp or aggressive atmospheres, you should package the vacuum pump in a plastic bag together with a drying agent, and seal it so that it is airtight.
10. For storage durations longer than 2 years, we recommend you carry out maintenance and a lubricant change prior to recommissioning.
11. Please note, the vacuum pump may not be stored in the vicinity of machines, traffic routes, etc., as strong vibrations may damage the bearing.

10.2 Recommissioning

NOTICE

Damage to the roots pump due to aging of the lubricant

The useful life of the lubricant is limited (max. 2 years). Prior to recommissioning, carry out the following operations following inactivity of **2 years or more**:

- ▶ Observe the maintenance instructions – consult Pfeiffer Vacuum where necessary.
- ▶ Change the lubricant.
- ▶ Check the bearings and replace any aged elastomer parts.

Procedure when recommissioning the vacuum pump

1. Check the roots pump for visible damage and operate the roots pump only in an appropriate operating status.
2. Check the interior of the pump for contaminants.
3. Remove any drying pearls from the suction chamber.
4. Do not operate the vacuum pump if there is evidence of rust on the parts which form the housing. Contact [Pfeiffer Vacuum Service](#).
5. Perform a leak test prior to recommissioning the vacuum pump as required.

11 Recycling and disposal

⚠ WARNING

Health hazard through poisoning from toxic contaminated components or devices

Toxic process media result in contamination of devices or parts of them. During maintenance work, there is a risk to health from contact with these poisonous substances. Illegal disposal of toxic substances causes environmental damage.

- ▶ Take suitable safety precautions and prevent health hazards or environmental pollution by toxic process media.
- ▶ Decontaminate affected parts before carrying out maintenance work.
- ▶ Wear protective equipment.



Environmental protection

You **must** dispose of the product and its components in accordance with all applicable regulations for protecting people, the environment and nature.

- Help to reduce the wastage of natural resources.
- Prevent contamination.

11.1 General disposal information

Pfeiffer Vacuum products contain materials that you must recycle.

- ▶ Dispose of our products according to the following:
 - Iron
 - Aluminium
 - Copper
 - Synthetic
 - Electronic components
 - Oil and fat, solvent-free
- ▶ Observe the special precautionary measures when disposing of:
 - Fluoroelastomers (FKM)
 - Potentially contaminated components that come into contact with media

11.2 Dispose of HiLobe roots pumps

Pfeiffer Vacuum roots pumps from the HiLobe series contain materials that you must recycle.

1. Fully drain the lubricant.
2. Disconnect the electronic drive unit.
3. Dismantle the motor.
4. Decontaminate the components that come into contact with process gases.
5. Separate the components into recyclable materials.
6. Recycle the non-contaminated components.
7. Dispose of the product or components in a safe manner according to locally applicable regulations.

12 Malfunctions

12.1 General

WARNING

Danger to life from electric shock in the event of a fault

In the event of a fault, devices connected to the mains may be live. There is a danger to life from electric shock when making contact with live components.

- ▶ Always keep the mains connection freely accessible so you can disconnect it at any time.

CAUTION

Danger of burns on hot surfaces

In the event of a fault, the surface temperature of the vacuum pump can increase to above 105 °C.

- ▶ Allow the vacuum pump to cool down before carrying out any work.
- ▶ Wear personal protective equipment if necessary.



No automatic restart following a power failure or error state

After restoring the power supply, the vacuum pump remains in the "Switched Off" state.

- Switch the vacuum pump on actively.

Vacuum pump and electronic drive unit malfunctions always result in a warning or error message. In both cases, you will receive an error code that you can read out via the interfaces of the electronic drive unit. Generally, the LEDs on the control panel display the operating messages. If an error occurs, switch off the vacuum pump and connected devices.

12.2 Troubleshooting

Should malfunctions occur, you can find information about potential causes and how to fix them here:

Problem	Possible causes	Remedy
The vacuum pump does not start up, no LED lights up on the operator panel of the electronic drive unit	<ul style="list-style-type: none"> • No mains voltage or operating voltage incorrect 	<ul style="list-style-type: none"> • Check the mains voltage. • Check the mains fuse.
	<ul style="list-style-type: none"> • Electronic drive unit defective 	<ul style="list-style-type: none"> • Contact Pfeiffer Vacuum Service.
	<ul style="list-style-type: none"> • Suction chamber dirty 	<ul style="list-style-type: none"> • Switch off the vacuum pump immediately. • Clean suction chamber. • If necessary, contact Pfeiffer Vacuum Service.
Vacuum pump switches off after a while after being started	<ul style="list-style-type: none"> • Thermal protection switch of the motor or the vacuum pump has triggered 	<ul style="list-style-type: none"> • Determine the cause and eliminate the fault. • Allow the vacuum pump or the motor to cool as necessary.
Vacuum pump/pumping station does not reach ultimate pressure	<ul style="list-style-type: none"> • Backing pump faulty 	<ul style="list-style-type: none"> • Check the backing pump.
	<ul style="list-style-type: none"> • Leak in system 	<ul style="list-style-type: none"> • Examine the system for leaks and, if necessary, carry out a leak test. • Eliminate leaks.

Problem	Possible causes	Remedy
Unusual noises during operation	<ul style="list-style-type: none"> Suction chamber dirty 	<ul style="list-style-type: none"> Switch off the vacuum pump immediately. Clean suction chamber.
	<ul style="list-style-type: none"> Damage to the bearing or gear wheels 	<ul style="list-style-type: none"> Switch off the vacuum pump immediately. Contact Pfeiffer Vacuum Service.
The vacuum pump keeps reaching the temperature limits (cooling water error)	<ul style="list-style-type: none"> Cooling water circuit inactive Leakage in cooling water system 	<ul style="list-style-type: none"> Switch off the vacuum pump immediately. Check and ensure the cooling water supply. Contact Pfeiffer Vacuum Service.

Tbl. 19: Troubleshooting

12.3 Error codes

Errors (** Error E—— **) always cause the connected peripheral devices to be switched off.

Warnings (* Warning F —— *) are only displayed and do not cause components to be switched off.

Handling malfunction messages

1. Read out error codes via Pfeiffer Vacuum control units or a PC.
2. Remove the cause of the malfunction.
3. Reset the malfunction message with parameter **[P:009]**.
 - Use preconfigured interfaces or screen tiles on Pfeiffer Vacuum control units.

Error code	Problem	Possible causes	Remedy
Err001	Excess rotation speed	<ul style="list-style-type: none"> Error in the frequency converter (FC) 	<ul style="list-style-type: none"> Contact Pfeiffer Vacuum Service
Err002	Motor excess voltage	<ul style="list-style-type: none"> Error in the frequency converter (FC) 	<ul style="list-style-type: none"> Contact Pfeiffer Vacuum Service
		<ul style="list-style-type: none"> [P:013] was not activated during pump operation with braking resistance 	<ul style="list-style-type: none"> Check [P:013] and select as appropriate for the equipment, if applicable: RC 5500 = activated RC 7500/ RC 11000 = activated RC 15000 = activated
		<ul style="list-style-type: none"> [P:013] was activated during pump operation without braking resistance 	
Err021	Characteristic resistor not detected	<ul style="list-style-type: none"> Characteristic resistor not present or defective 	<ul style="list-style-type: none"> Contact Pfeiffer Vacuum Service
Err023	Motor undervoltage	<ul style="list-style-type: none"> Error in the frequency converter (FC) 	<ul style="list-style-type: none"> Check the mains input voltage Contact Pfeiffer Vacuum Service
Err042	Checksum errors	<ul style="list-style-type: none"> Inconsistent software 	<ul style="list-style-type: none"> Contact Pfeiffer Vacuum Service
Err045	Excess temperature of motor or braking resistor	<ul style="list-style-type: none"> Insufficient cooling Fan filter mats soiled in control cabinet 	<ul style="list-style-type: none"> Check the cooling Clean the fan filter mats or replace them
Err091	Hardware error	<ul style="list-style-type: none"> Hardware not detected 	<ul style="list-style-type: none"> Contact Pfeiffer Vacuum Service
Err098	Internal communication error	<ul style="list-style-type: none"> Failure of the internal voltages, as a result of Err023 	<ul style="list-style-type: none"> Check the mains input voltage Contact Pfeiffer Vacuum Service
Err104	External error	<ul style="list-style-type: none"> Error in the backing pump of the HiLobe pumping station 	<ul style="list-style-type: none"> Check the backing pump of the HiLobe pumping station
Err107	Overloading of the FC	<ul style="list-style-type: none"> Permanent overload 	<ul style="list-style-type: none"> Contact Pfeiffer Vacuum Service
Err115	Invalid pump temperature signal	<ul style="list-style-type: none"> Oil temperature sensors defective or not connected 	<ul style="list-style-type: none"> Check the sensors and their cables Replace the sensors and their cables, if required
Err117	Vacuum pump excess temperature	<ul style="list-style-type: none"> Insufficient cooling 	<ul style="list-style-type: none"> Improve the cooling Check the operating conditions Observe the intended use
Err118	Overtemperature of the cooling element (FC)	<ul style="list-style-type: none"> Insufficient cooling Ambient temperature too high 	<ul style="list-style-type: none"> Improve the cooling Check the operating conditions Observe the intended use

Error code	Problem	Possible causes	Remedy
Err173	Motor excess current (FC)	<ul style="list-style-type: none"> Suction chamber dirty Short-circuit 	<ul style="list-style-type: none"> Check the vacuum pump Contact Pfeiffer Vacuum Service
Err177	Overload (FC)	<ul style="list-style-type: none"> Suction chamber contaminated – Vacuum pump clogged over a longer period or overloaded Short-circuit 	<ul style="list-style-type: none"> Check the vacuum pump Contact Pfeiffer Vacuum Service Observe the intended use
Err323	Excess temperature at exhaust (during operation with gas outlet temperature sensor)	<ul style="list-style-type: none"> Outlet temperature > 300°C Maximum permissible pressure differential was exceeded 	<ul style="list-style-type: none"> Check the vacuum pump Check the operating conditions Acknowledge the error

Tbl. 20: Error messages of the electronic drive unit

Error code	Problem	Possible causes	Remedy
Wrn030	Pre-alarm: Excess temperature at exhaust	<ul style="list-style-type: none"> Outlet temperature > 250°C Maximum permissible pressure differential was exceeded 	<ul style="list-style-type: none"> Improve the cooling Check the operating conditions
Wrn100	Current rotation speed outside of value range for stand-by operation	<ul style="list-style-type: none"> Minimum rotation speed in accordance with specification in [P:717] stand-by operation not reached 	Target rotation speed is automatically raised. <ul style="list-style-type: none"> Change the permissible rotation speed range in [P:717]
Wrn117	Pre-alarm: Vacuum pump excess temperature	<ul style="list-style-type: none"> Insufficient cooling 	<ul style="list-style-type: none"> Improve the cooling Check the operating conditions Observe the intended use

Tbl. 21: Warning messages of the electronic drive unit

12.4 Warning and malfunction messages when operating with control units

Besides the device-specific warning and error messages on the electronic drive unit, additional messages are displayed with the connected control unit.

Indicator	Problem	Possible causes	Remedy
* Warning F110 *	Pressure gauge	<ul style="list-style-type: none"> Pressure gauge faulty Connection to the pressure gauge disconnected during operation 	<ul style="list-style-type: none"> Check the cable connection Carry out a restart with pressure gauge connected Replace the pressure gauge completely
** Error E040 **	Hardware error	<ul style="list-style-type: none"> external RAM faulty 	<ul style="list-style-type: none"> Contact Pfeiffer Vacuum Service
** Error E042 **	Hardware error	<ul style="list-style-type: none"> EPROM checksum incorrect 	<ul style="list-style-type: none"> Contact Pfeiffer Vacuum Service
** Error E043 **	Hardware error	<ul style="list-style-type: none"> E²PROM write error 	<ul style="list-style-type: none"> Contact Pfeiffer Vacuum Service
** Error E090 **	Internal device error	<ul style="list-style-type: none"> RAM not large enough Unit is connected to incorrect electronic drive unit 	<ul style="list-style-type: none"> Contact Pfeiffer Vacuum Service Connect the unit to the correct electronic drive unit
** Error E698 **	Communication error	<ul style="list-style-type: none"> Electronic drive unit is not responding 	<ul style="list-style-type: none"> Contact Pfeiffer Vacuum Service

Tbl. 22: Warning and malfunction messages

13 Service solutions by Pfeiffer Vacuum

We offer first-class service

High vacuum component service life, in combination with low downtime, are clear expectations that you place on us. We meet your needs with efficient products and outstanding service.

We are always focused on perfecting our core competence – servicing of vacuum components. Once you have purchased a product from Pfeiffer Vacuum, our service is far from over. This is often exactly where service begins. Obviously, in proven Pfeiffer Vacuum quality.

Our professional sales and service employees are available to provide you with reliable assistance, worldwide. Pfeiffer Vacuum offers an entire range of services, from [original replacement parts](#) to [service contracts](#).

Make use of Pfeiffer Vacuum service

Whether preventive, on-site service carried out by our field service, fast replacement with mint condition replacement products, or repair carried out in a [Service Center](#) near you – you have various options for maintaining your equipment availability. You can find more detailed information and addresses on our homepage, in the section.

You can obtain advice on the optimal solution for you, from your [Pfeiffer Vacuum representative](#).

For fast and smooth service process handling, we recommend the following:



1. Download the up-to-date form templates.
 - [Explanations of service requests](#)
 - [Service requests](#)
 - [Contamination declaration](#)



- a) Remove and store all accessories (all external parts, such as valves, protective screens, etc.).
 - b) If necessary, drain operating fluid/lubricant.
 - c) If necessary, drain coolant.
2. Complete the service request and contamination declaration.



3. Send the forms by email, fax, or post to your local [Service Center](#).

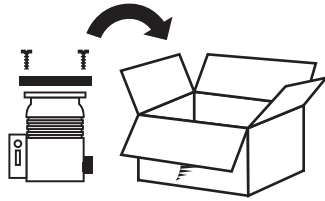


4. You will receive an acknowledgment from Pfeiffer Vacuum.

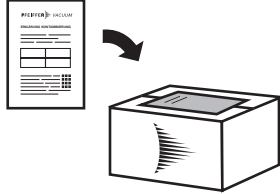
PFEIFFER VACUUM

Submission of contaminated products

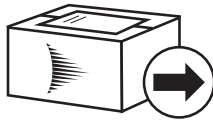
No microbiological, explosive, or radiologically contaminated products will be accepted. Where products are contaminated, or the contamination declaration is missing, Pfeiffer Vacuum will contact you before starting service work. Depending on the product and degree of pollution, **additional decontamination costs** may be incurred.



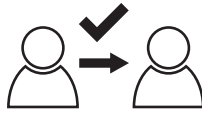
5. Prepare the product for transport in accordance with the provisions in the contamination declaration.
 - a) Neutralize the product with nitrogen or dry air.
 - b) Seal all openings with blind flanges, so that they are airtight.
 - c) Shrink-wrap the product in suitable protective foil.
 - d) Package the product in suitable, stable transport containers only.
 - e) Maintain applicable transport conditions.



6. Attach the contamination declaration to the **outside** of the packaging.



7. Now send your product to your local Service Center.



8. You will receive an acknowledgment/quotation, from Pfeiffer Vacuum.

PFEIFFER VACUUM

Our sales and delivery conditions and repair and maintenance conditions for vacuum devices and components apply to all service orders.

14 Spare parts

Ordering spare part packages

- ▶ Have the vacuum pump part number, and any other necessary details from the rating plate, to hand when ordering spare parts.
- ▶ Use only original spare parts.

Spare part packages	Pump version	Order number
Maintenance kit 1	HiLobe 8103	PP E47 000 -T
Maintenance kit 3	HiLobe 11003	PP E42 200 -T
Maintenance kit for cleaning the suction chamber	HiLobe 14003	PP E48 200 -T

Tbl. 23: HiLobe spare part packages

15 Accessories



View the line of accessories for Pfeiffer Vacuum roots pumps online at pfeiffer-vacuum.de.

15.1 Accessory information

Fixing materials

Type-specific assembled packages ensure secure fastening of the vacuum pump. Optionally with splinter shield or protective screen.

Display units and cable

Display and operating units are used to check and adjust operating parameters. Mains, interface, connection, and extension cables provide a secure and suitable connection. Different lengths on request.

Process accessories

Gearbox evacuation, sealing gas set, spraying equipment and temperature sensors permit process-specific adaptations.

15.2 Ordering accessories

Selection field	Part number
Collar flange, I 304/1.4301, DN ISO-K, stainless steel	320FLU250
Collar flange, nickel-plated steel S235JR/1.0038, DN 250 ISO-K	350FLU250
Package Converter Profinet (M12) HiLobe (Box-Version RC 5500, 7500, 15000)	PE 300 301 -T
Package Converter Profinet (M12) HiLobe	PE 300 304 -T
Package Converter EtherCAT (RJ45) HiLobe	PE 300 311 -T
Centering ring with outer ring for vacuum flange for Okta 4000/M Okta 6000/M Okta 4000 G, DN ISO-F	PF 303 125 -T
Centering ring with multi-functional coating and integrated splinter shield, DN 250 ISO-K/-F	PM 016 226
OmniControl 001 Mobile, control units without data without gauge/IO	PE D20 000 0
OmniControl 001, rack unit without integrated power supply pack	PE D40 000 0
RJ 45 interface cable on M12 for HiPace	PM 051 726 -T
Accessories package for HPU 001/PC	PM 061 005 -T
USB RS-485 converter	PM 061 207 -T
Interface cable, M12 m straight / M12 m straight, 3 m	PM 061 283 -T
TCS 11, adapter for TC 110/120 with RS-485 interface	PM 061 636
Interface cable, M12 m straight / M12 m angled, 0.7 m	PM 061 791 -T
Spray lance, 1/2" thread, for Okta 4000 ATEX Okta 8000 Okta 8000/M Okta 4000 G ATEX Okta 8000 G Okta 8000 G ATEX HiLobe 8103 - HiLobe 14003 HiLobe 8104 - HiLobe 14004	PP 046 146 -U
Sealing gas kit (plastic tube), G 3/8 (4x)	PP 100 091 -T
Gear box evacuation (plastic tube) for HiLobe 100x – 210x, G 3/8 (2x), G 1/2 (1x)	PP 100 092 -T
Extension cable package Box version 3 m	PP 300 304 -T
Extension cable package Box version 5 m	PP 300 306 -T
Extension cable package Box version 10 m	PP 300 311 -T
Extension cable package Box version 20 m	PP 300 321 -T
Extension cable package Box version 30 m	PP 300 331 -T
Coupling set	PM 061 682 -X

Tbl. 24: Order numbers for accessories

Description	Order number
P3, mineral oil, 1 l	PK 001 106 -T
P3, mineral oil, 5 l	PK 001 107 -T
P3, mineral oil, 20 l	PK 001 108 -T
D2, synthetic diester based oil, 1 l	PK 005 875 AT
D2, synthetic diester based oil, 5 l	PK 005 876 AT
D2, synthetic diester based oil, 20 l	PK 005 877 AT
F5, Perfluoropolyether, 0.5 l	PK 001 851 -T
F5, Perfluoropolyether, 1 l	PK 001 852 -T
F5, Perfluoropolyether, 5 l	PK 001 853 -T

Tbl. 25: Consumables

16 Technical data and dimensions

16.1 General

Basis for the technical data of Pfeiffer Vacuum roots pumps

- Specifications according to PNEUROP committee PN5
- ISO 21360-1: 2016 “Vacuum technology - Standard methods for measuring vacuum-pump performance - General description”
- Leak test to ascertain the integral leakage rate according to EN 1779: 1999 technique A1; with 100 % helium concentration, 10 s measurement duration
- Sound pressure level: distance to vacuum pump 1 m

	mbar	bar	Pa	hPa	kPa	Torr mm Hg
mbar	1	$1 \cdot 10^{-3}$	100	1	0.1	0.75
bar	1000	1	$1 \cdot 10^5$	1000	100	750
Pa	0.01	$1 \cdot 10^{-5}$	1	0.01	$1 \cdot 10^{-3}$	$7.5 \cdot 10^{-3}$
hPa	1	$1 \cdot 10^{-3}$	100	1	0.1	0.75
kPa	10	0.01	1000	10	1	7.5
Torr mm Hg	1.33	$1.33 \cdot 10^{-3}$	133.32	1.33	0.133	1

$$1 \text{ Pa} = 1 \text{ N/m}^2$$

Tbl. 26: Conversion table: Pressure units

	mbar l/s	Pa m ³ /s	sccm	Torr l/s	atm cm ³ /s
mbar l/s	1	0.1	59.2	0.75	0.987
Pa m ³ /s	10	1	592	7.5	9.87
sccm	$1.69 \cdot 10^{-2}$	$1.69 \cdot 10^{-3}$	1	$1.27 \cdot 10^{-2}$	$1.67 \cdot 10^{-2}$
Torr l/s	1.33	0.133	78.9	1	1.32
atm cm ³ /s	1.01	0.101	59.8	0.76	1

Tbl. 27: Conversion table: Units for gas throughput



Special versions

The technical data and dimensions for the vacuum pump refer to the specified standard version.

- For deviations in special versions, please refer to the rating plates or the enclosed information.

16.2 Substances in contact with the media

Pump parts	Substances in contact with the media
Pump housing	Cast iron (spheroidal graphite cast iron)
Rotor	Cast iron (spheroidal graphite cast iron)
Seals	FKM

Tbl. 28: Materials that make contact with the process media

16.3 Technical data

Type designation	HiLobe 8103	HiLobe 11003	HiLobe 14003
Part number	PP V60 301	PP V61 301	PP V62 301
Connection flange (in)	DN 250 ISO-F DN 250 PN 16	DN 250 ISO-F DN 250 PN 16	DN 250 ISO-F DN 250 PN 16
Connection flange (out)	DN 250 ISO-F DN 250 PN 16	DN 250 ISO-F DN 250 PN 16	DN 250 ISO-F DN 250 PN 16
Mounting orientation	Vertical, inlet on top	Vertical, inlet on top	Vertical, inlet on top
Electronic drive unit	RC 15000	RC 15000	RC 15000
Nominal pumping speed	2700 – 8120 m ³ /h	2700 – 10830 m ³ /h	2700 – 13540 m ³ /h
Max. permissible pressure differential at max. rotation speed	25 hPa	20 hPa	10 hPa
Max. permissible pressure differential at min. rotation speed	30 hPa	30 hPa	30 hPa
Emission sound pressure level (EN ISO 2151) at intake pressure 1 hPa	< 70 dB(A)	< 70 dB(A)	< 70 dB(A)
Cooling method	Water	Water	Water
Cooling water pressure	2000 – 6000 hPa	2000 – 6000 hPa	2000 – 6000 hPa
Cooling water temperature	5 – 35 °C	5 – 35 °C	5 – 35 °C
Cooling water flow, min.	2 l/min	2 l/min	2 l/min
Rotation speed	1500 – 4500 rpm	1500 – 6000 rpm	1500 – 7500 rpm
Input voltage(s)	380 – 480 V AC (±10 %), 50/60 Hz	380 – 480 V AC (±10 %), 50/60 Hz	380 – 480 V AC (±10 %), 50/60 Hz
Motor protection	PTC	PTC	PTC
I/O interfaces	RS-485, PV can	RS-485, PV can	RS-485, PV can
Protection degree	IP54, Type 12	IP54, Type 12	IP54, Type 12
Integral leak rate	< 1 · 10 ⁻⁶ Pa m ³ /s	< 1 · 10 ⁻⁶ Pa m ³ /s	< 1 · 10 ⁻⁶ Pa m ³ /s
Rated power at max. rotation speed	9 kW	12 kW	15 kW
Operating fluid amount	3 l	3 l	3 l
Paint finish color	RAL 7035	RAL 7035	RAL 7035
Ambient temperature	5 – 40 °C	5 – 40 °C	5 – 40 °C
Temperature: Shipping	-10 – 40 °C	-10 – 40 °C	-10 – 40 °C
Weight	620 kg	620 kg	620 kg

Tbl. 29: Technical data HiLobe

16.4 Dimensions

Dimensions in mm

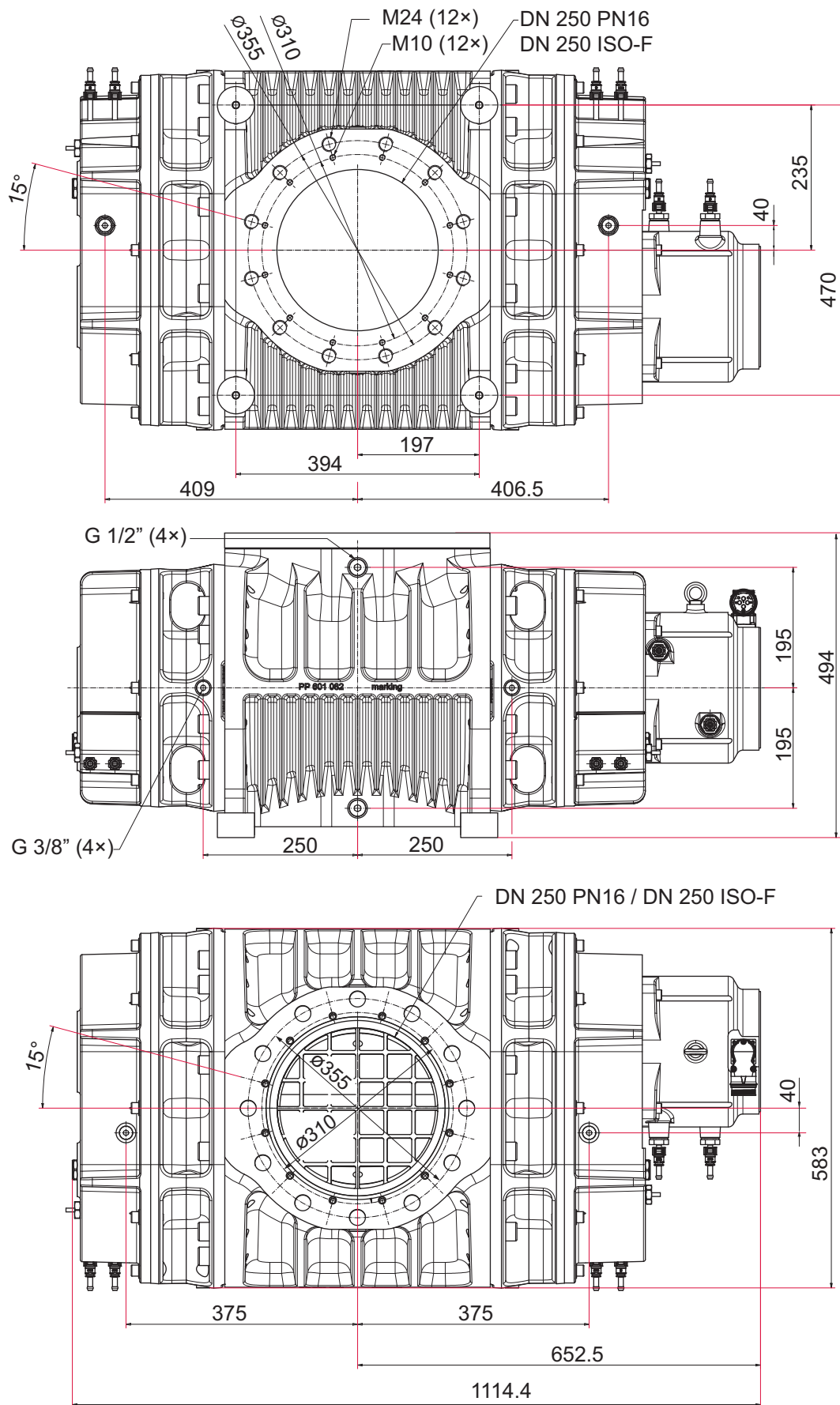


Fig. 18: HiLobe | DN 250

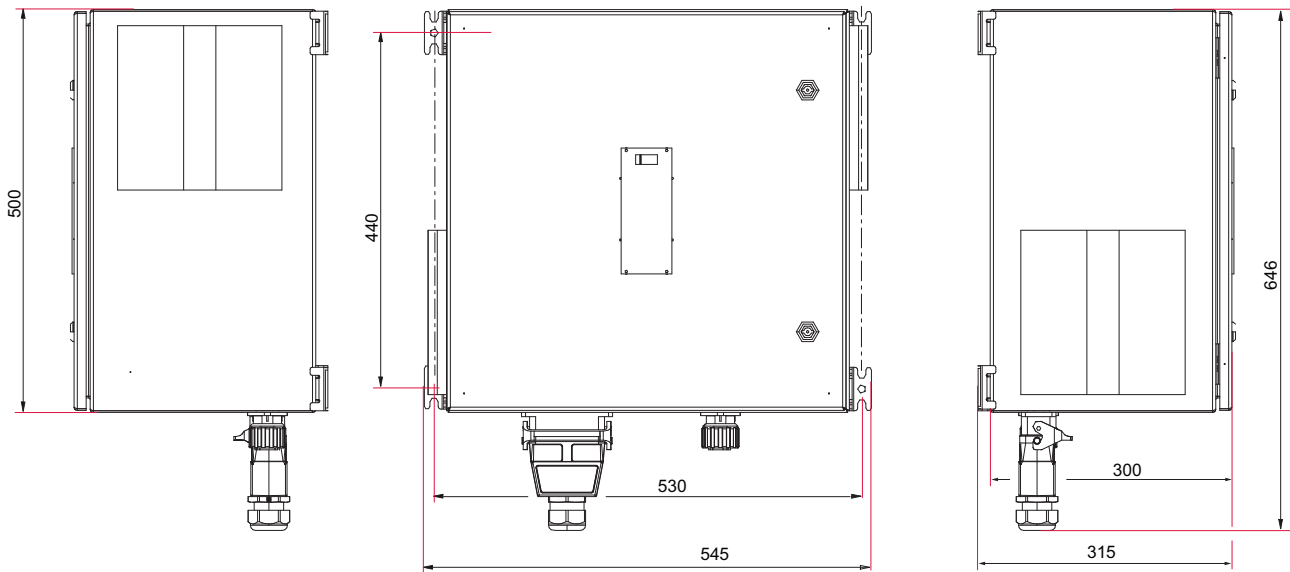


Fig. 19: Switch box with electronic drive unit RC 15000

EC Declaration of Conformity

Declaration for product(s) of the type:

Roots pump

- HiLobe 8103
- HiLobe 11003
- HiLobe 14003

We hereby declare that the listed product satisfies all relevant provisions of the following **European Directives**.

Machinery 2006/42/EC (Annex II, no. 1 A)

Electromagnetic compatibility 2014/30/EU

Restriction of the use of certain hazardous substances 2011/65/EU

Restriction of the use of certain hazardous substances, delegated directive 2015/863/EU

Harmonized standards and applied national standards and specifications:

DIN EN ISO 12100: 2011

DIN EN 61010-1: 2020

DIN EN 1012-2: 2011

DIN EN IEC 61000-3-11: 2021

DIN EN ISO 13857: 2020

DIN EN 61000-3-12: 2012

DIN ISO 21360-1: 2020

DIN EN IEC 61000-6-2: 2019

ISO 21360-2: 2020

DIN EN IEC 61000-6-4: 2020

DIN EN ISO 2151: 2009

DIN EN 60529: 2014

DIN EN 60204-1: 2019

DIN EN IEC 63000: 2019

The authorized representative for the compilation of technical documents is
Dr. Adrian Wirth, Pfeiffer Vacuum GmbH, Berliner Straße 43, 35614 Asslar, Germany.

Signature:



Pfeiffer Vacuum GmbH
Berliner Straße 43
35614 Asslar
Germany

(Daniel Sälzer)
Managing Director

Asslar, 2019-10-09



UK Declaration of Conformity

This declaration of conformity has been issued under the sole responsibility of the manufacturer.

Declaration for product(s) of the type:

Roots pump
HiLobe 8103
HiLobe 11003
HiLobe 14003

We hereby declare that the listed product satisfies all relevant provisions of the following **British Directives**.

Supply of Machinery (Safety) Regulations 2008
Electrical Equipment (Safety) Regulations 2016
Electromagnetic Compatibility Regulations 2016
The Restriction of the Use of Certain Hazardous Substances in Electrical and Electronic Equipment Regulations 2012

Applied standards and specifications:

ISO 12100: 2010	IEC 61010-1+A1:2010
EN 1012-2+A1:1996	EN IEC 61000-3-11: 2019
ISO 13857: 2019	EN 61000-3-12: 2011
ISO 21360-1: 2020	EN IEC 61000-6-2: 2019
ISO 21360-2: 2020	EN IEC 61000-6-4: 2019
EN ISO 2151: 2008	EN 60529: 1991 + A1: 2000 + A2: 2013
EN 60204-1: 2018	EN IEC 63000: 2018

The manufacturer's authorized representative in the United Kingdom and the authorized agent for compiling the technical documentation is Pfeiffer Vacuum Ltd, 16 Plover Close, Interchange Park, MK169PS Newport Pagnell.

Signature:



(Daniel Sälzer)
Managing Director

Pfeiffer Vacuum GmbH
Berliner Straße 43
35614 Asslar
Germany

Asslar, 2022-09-02

**UK
CA**

VACUUM SOLUTIONS FROM A SINGLE SOURCE

Pfeiffer Vacuum stands for innovative and custom vacuum solutions worldwide, technological perfection, competent advice and reliable service.

COMPLETE RANGE OF PRODUCTS

From a single component to complex systems:

We are the only supplier of vacuum technology that provides a complete product portfolio.

COMPETENCE IN THEORY AND PRACTICE

Benefit from our know-how and our portfolio of training opportunities!

We support you with your plant layout and provide first-class on-site service worldwide.

E - Date 2408 - P/N:PW0328BEN



Are you looking for a
perfect vacuum solution?
Please contact us

Pfeiffer Vacuum GmbH
Headquarters • Germany
T +49 6441 802-0
info@pfeiffer-vacuum.de

www.pfeiffer-vacuum.com