



# OPERATING INSTRUCTIONS

EN

Translation of the Original

## TPR 280 | TPR 281

Pirani gauge

---

## Dear Customer,

Thank you for choosing a Pfeiffer Vacuum product. Your new gauge is designed to support you in your individual application with maximum performance and without malfunctions. The name Pfeiffer Vacuum stands for high-quality vacuum technology, a comprehensive and complete range of top-quality products and first-class service. From this extensive, practical experience we have gained a large volume of information that can contribute to efficient deployment and to your personal safety.

In the knowledge that our product must avoid consuming work output, we trust that our product can offer you a solution that supports you in the effective and trouble-free implementation of your individual application.

Please read these operating instructions before putting your product into operation for the first time. If you have any questions or suggestions, please feel free to contact [info@pfeiffer-vacuum.de](mailto:info@pfeiffer-vacuum.de).

Further operating instructions from Pfeiffer Vacuum can be found in the [Download Center](#) on our website.

## Disclaimer of liability

These operating instructions describe all models and variants of your product. Note that your product may not be equipped with all features described in this document. Pfeiffer Vacuum constantly adapts its products to the latest state of the art without prior notice. Please take into account that online operating instructions can deviate from the printed operating instructions supplied with your product.

Furthermore, Pfeiffer Vacuum assumes no responsibility or liability for damage resulting from the use of the product that contradicts its proper use or is explicitly defined as foreseeable misuse.

## Copyright

This document is the intellectual property of Pfeiffer Vacuum and all contents of this document are protected by copyright. They may not be copied, altered, reproduced or published without the prior written permission of Pfeiffer Vacuum.

We reserve the right to make changes to the technical data and information in this document.

# Table of contents

<b>1</b>	<b>About this manual</b>	<b>7</b>
1.1	Validity	7
	1.1.1 Applicable documents	7
	1.1.2 Variants	7
1.2	Target group	8
1.3	Conventions	8
	1.3.1 Instructions in the text	8
	1.3.2 Pictographs	8
	1.3.3 Stickers on product	8
	1.3.4 Abbreviations	9
1.4	Trademark proof	9
<b>2</b>	<b>Safety</b>	<b>10</b>
2.1	General safety information	10
2.2	Safety instructions	10
2.3	Safety precautions	12
2.4	Limits of use of product	13
2.5	Proper use	13
2.6	Foreseeable improper use	13
2.7	Responsibilities and warranty	14
2.8	Owner requirements	14
2.9	Personnel qualification	14
	2.9.1 Ensuring personnel qualification	14
	2.9.2 Personnel qualification for maintenance and repair	15
	2.9.3 Advanced training with Pfeiffer Vacuum	15
2.10	Operator requirements	15
<b>3</b>	<b>Product description</b>	<b>16</b>
3.1	Function	16
3.2	Status display	16
3.3	Identifying the product	16
3.4	Scope of delivery	16
<b>4</b>	<b>Transport and storage</b>	<b>17</b>
4.1	Transporting the product	17
4.2	Storing the product	17
<b>5</b>	<b>Installation</b>	<b>18</b>
5.1	Establishing vacuum connection	18
5.2	Electronic unit	19
5.3	Establishing electric connection	21
<b>6</b>	<b>Operation</b>	<b>23</b>
6.1	Converting measuring signal and pressure	23
6.2	Determining effective pressure with correction factors	24
<b>7</b>	<b>Dismantling</b>	<b>26</b>
<b>8</b>	<b>Maintenance</b>	<b>28</b>
8.1	Cleaning of components	28
8.2	Calibrating the gauge	29
8.3	Replacing the measuring system	30
<b>9</b>	<b>Shipping</b>	<b>32</b>
<b>10</b>	<b>Recycling and disposal</b>	<b>33</b>
10.1	General disposal information	33
10.2	Dispose of gauges	33

<b>11</b>	<b>Service solutions by Pfeiffer Vacuum</b>	<b>34</b>
<b>12</b>	<b>Spare parts</b>	<b>36</b>
<b>13</b>	<b>Accessories</b>	<b>37</b>
	13.1 Accessory information	37
	13.2 Ordering accessories	37
<b>14</b>	<b>Technical data and dimensions</b>	<b>38</b>
	14.1 General	38
	14.2 Technical data	38
	14.3 Dimensions	40
	<b>EC Declaration of Conformity</b>	<b>41</b>
	<b>UK Declaration of Conformity</b>	<b>42</b>

## List of tables

Tbl. 1:	Applicable documents	7
Tbl. 2:	Variants TPR 280	7
Tbl. 3:	Variants TPR 281	7
Tbl. 4:	Abbreviations used	9
Tbl. 5:	Permissible ambient conditions	13
Tbl. 6:	Constants for converting measuring signal and pressure	23
Tbl. 7:	Correction factor for pressure range < 1 hPa	25
Tbl. 8:	Spare parts	36
Tbl. 9:	Conversion table: Pressure units	38
Tbl. 10:	Conversion table: Units for gas throughput	38
Tbl. 11:	Measured and pressure values	38
Tbl. 12:	Electrical data	39
Tbl. 13:	Internal volume and weight	39
Tbl. 14:	Ambient conditions	39
Tbl. 15:	Temperatures	39
Tbl. 16:	Substances in contact with media	40

## List of figures

Fig. 1:	Establishing vacuum connection	19
Fig. 2:	Electronic unit	20
Fig. 3:	Connection diagram	21
Fig. 4:	Measurement cable and Hirschmann cable socket	22
Fig. 5:	Relation between measuring signal and pressure	23
Fig. 6:	Displayed pressure	24
Fig. 7:	Removing gauge	27
Fig. 8:	Calibrating the gauge	29
Fig. 9:	Replacing the measuring system	31
Fig. 10:	Replacement measuring system	36
Fig. 11:	Dimensions	40

# 1 About this manual



## IMPORTANT

Read carefully before use.

Keep the manual for future consultation.

## 1.1 Validity

This document describes the function of the products listed in the following and provides the most important information for safe use. The description is written in accordance with the valid directives. The information in this document refers to the current development status of the products. The document retains its validity assuming that the customer does not make any changes to the product.

### 1.1.1 Applicable documents

Designation	Document
Brief guide "Pirani gauges" TPR 280   TPR 281	BG 5178
OmniControl "Control unit" operating instructions	PT 0670
Operating instructions "Total Pressure Measuring and Control Unit" TPG 366	BG 5501
Declaration of conformity	A component of these instructions

**Tbl. 1: Applicable documents**

The brief instruction for the gauge is included in the scope of delivery.

You can find these documents in the [Pfeiffer Vacuum Download Center](#).

### 1.1.2 Variants

This document applies to products with the following article numbers:

Article number	Designation
PT R26 950	TPR 280, DN 16 ISO-KF, short version
PT R26 960	TPR 280, DN 16 ISO-KF, long version
PT R26 951	TPR 280, DN 16 CF-R, short version
PT R26 961	TPR 280, DN 16 CF-R, long version
PT R26 952	TPR 280, 1/8" NPT, short version
PT R26 953	TPR 280, 8 VCR (1/2"), short version

**Tbl. 2: Variants TPR 280**

Article number	Designation
PT R21 950	TPR 281, DN 16 ISO-KF, short version
PT R21 960	TPR 281, DN 16 ISO-KF, long version
PT R21 951	TPR 281, DN 16 CF-R, short version
PT R21 961	TPR 281, DN 16 CF-R, long version

**Tbl. 3: Variants TPR 281**

You can find the part number on the rating plate of the product.

Pfeiffer Vacuum reserves the right to make technical changes without prior notification.

Information that relates to only one of the products is indicated accordingly.

The figures in this document are not to scale.

The figures show the product with a DN 16 ISO-KF vacuum connection, however, they also apply to the other vacuum connections where applicable.

Dimensions are provided in mm, unless specified otherwise.

## 1.2 Target group

These operating instructions are aimed at all persons performing the following activities on the product:

- Transportation
- Setup (Installation)
- Usage and operation
- Decommissioning
- Maintenance and cleaning
- Storage or disposal

The work described in this document is only permitted to be performed by persons with the appropriate technical qualifications (expert personnel) or who have received the relevant training from Pfeiffer Vacuum.

## 1.3 Conventions

### 1.3.1 Instructions in the text

Usage instructions in the document follow a general structure that is complete in itself. The required action is indicated by an individual step or multi-part action steps.

#### Individual action step

A horizontal, solid triangle indicates the only step in an action.

- ▶ This is an individual action step.

#### Sequence of multi-part action steps

The numerical list indicates an action with multiple necessary steps.

1. Step 1
2. Step 2
3. ...

### 1.3.2 Pictographs

The pictographs used in the document indicate useful information.



Note



Tip



Wear laboratory gloves

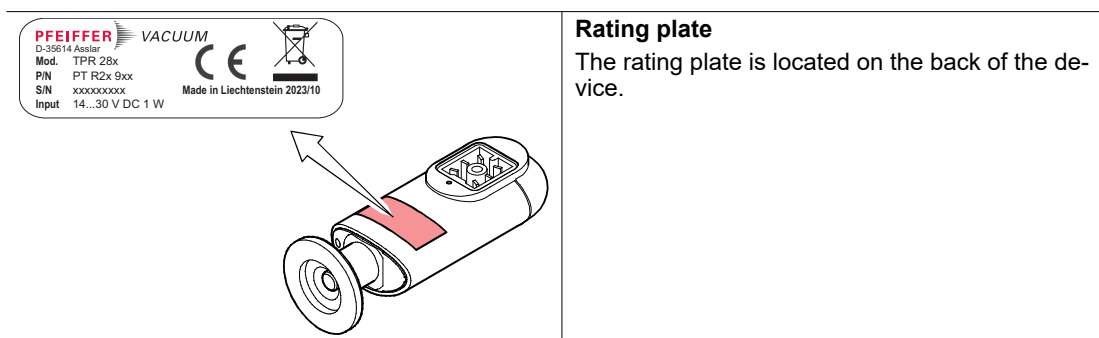


Perform a visual inspection

### 1.3.3 Stickers on product

This section describes all the stickers on the product along with their meanings.





### 1.3.4 Abbreviations

Abbreviation	Explanation
AC	Alternating current (AC)
ATM	Atmosphere
c	Constant for converting measuring signal and pressure
C	Correction factor for calculating the pressure of gases other than air
CF	Flange: Metal-sealed connector in accordance with ISO 3669
DC	Direct current
EMC	Electromagnetic compatibility
FKM	Fluorinated rubber
GND	Ground
HV	High vacuum
LPS	Limited power source
MSL	Mean sea level
p	Pressure
PE	Protective earth (earthed conductor)
PELV	Protective extra low voltage
WAF	Width Across Flats
U	Measuring signal [V] (output voltage)
VCR	Trademark of the Swagelok Company

Tbl. 4: Abbreviations used

## 1.4 Trademark proof

- Hirschmann® is a trademark of Hirschmann Electronics GmbH.

## 2 Safety

### 2.1 General safety information

The following 4 risk levels and 1 information level are taken into account in this document.

**⚠ DANGER**

**Immediately pending danger**  
 Indicates an immediately pending danger that will result in death or serious injury if not observed.

- ▶ Instructions to avoid the danger situation

**⚠ WARNING**

**Potential pending danger**  
 Indicates a pending danger that could result in death or serious injury if not observed.

- ▶ Instructions to avoid the danger situation

**⚠ CAUTION**

**Potential pending danger**  
 Indicates a pending danger that could result in minor injuries if not observed.

- ▶ Instructions to avoid the danger situation

**NOTICE**

**Danger of damage to property**  
 Is used to highlight actions that are not associated with personal injury.

- ▶ Instructions to avoid damage to property

**i** Notes, tips or examples indicate important information about the product or about this document.

### 2.2 Safety instructions

**i** **Safety instructions according to product life stages**  
 All safety instructions in this document are based on the results of a risk assessment. Pfeiffer Vacuum has taken into account all the relevant life stages of the product.

#### Risks during installation

**⚠ DANGER**

**Danger to life due to dangerous contact voltage**  
 Voltages above 30 V (AC) or 60 V (DC) are considered dangerous in accordance with EN 61010. If you come into contact with dangerous contact voltage, this can result in injury through electric shocks or even death.

- ▶ Only connect the product to devices which meet the following criteria:
  - Requirements of the earthed protective extra-low voltage (PELV)
  - Limited power source (LPS) Class 2
- ▶ Secure the line to the product.
  - Pfeiffer Vacuum measuring and control equipment complies with this requirement.

**⚠ DANGER****Risk to life due to electric shock**

An improperly earthed product is potentially fatal in the event of a fault.

- ▶ Connect the product galvanically with the earthed vacuum chamber.
- ▶ Ensure that the connection complies with the requirements of a protective bonding according to EN 61010. (CF and VCR connections comply with this requirement.)
- ▶ Use electrically conductive centering rings and circlips for KF connections.

**⚠ WARNING****Risk of poisoning from toxic process gases escaping**

High mechanical, chemical, or thermal stress causes leaks in the sensor. In processes involving toxic process media, there is a risk of injury and danger to life from poisoning by escaping gas in the event of overpressure in the vacuum system.

- ▶ Prevent high mechanical, chemical, or thermal stress from occurring.
- ▶ Prevent overpressure from occurring in the vacuum system.
- ▶ Take appropriate measures to prevent hazards or damage caused by the release of process media, such as gas supply interruption, extraction, or leak testing.

**Risks during operation****⚠ WARNING****Risk of injury resulting from overpressure in the vacuum system**

Opening tensioning pieces with an overpressure > **1000 hPa** in the vacuum system can lead to injuries as a result of flying parts, and escaping process medium could prove harmful to health.

Elastomer seals in KF connections (e.g. O-rings) are not resistant to pressures > **2500 hPa**. This could prove harmful to health due to escaping process medium.

- ▶ Do not open any tensioning pieces when overpressure is prevalent in the vacuum system.
- ▶ Use suitable tensioning pieces for overpressure.
- ▶ Use tensioning pieces which can only be opened and closed using a tool (e.g. tightening strap-circlip).
- ▶ Use sealing rings with an outer centering ring.

**Risks during maintenance****⚠ DANGER****Risk to life due to electric shock**

If no earth connection is established, voltage flows become hazardous to the touch and could lead to electronic components sustaining damage.

- ▶ Always tighten the electronic unit with the grub screw.
- ▶ Ensure that the grub screw of the electronic unit has been tightened correctly.

**⚠ DANGER****Danger to life from electric shock caused by moisture ingress**

Water that has entered the unit will result in personal injury through electric shocks.

- ▶ Only operate the unit in a dry environment.
- ▶ Operate the unit away from fluids and sources of moisture.
- ▶ Do not switch on the unit if fluid has entered it. Instead contact Pfeiffer Vacuum Service.
- ▶ Always disconnect the power supply before cleaning the unit.

**⚠ WARNING**

**Health hazard through poisoning from toxic contaminated components or devices**

Toxic process media result in contamination of devices or parts of them. During maintenance work, there is a risk to health from contact with these poisonous substances. Illegal disposal of toxic substances causes environmental damage.

- ▶ Take suitable safety precautions and prevent health hazards or environmental pollution by toxic process media.
- ▶ Decontaminate affected parts before carrying out maintenance work.
- ▶ Wear protective equipment.

**⚠ WARNING**

**Health hazards due to cleaning agent**

The cleaning agent being used causes health hazards which could include, for example, poisoning, allergies, skin irritations, chemical burns or damage to the airways.

- ▶ When handling cleaning agents, observe the applicable regulations.
- ▶ Adhere to safety measures regarding handling and disposal of cleaning agents.
- ▶ Be aware of potential reactions with product materials.

**Risks when shipping**

**⚠ WARNING**

**Risk of poisoning from contaminated products**

Where products that contain harmful substances are shipped for maintenance or repair purposes, the health and safety of service personnel is at risk.

- ▶ Comply with the instructions for safe distribution.

**Risks during disposal**

**⚠ WARNING**

**Health hazard through poisoning from toxic contaminated components or devices**

Toxic process media result in contamination of devices or parts of them. During maintenance work, there is a risk to health from contact with these poisonous substances. Illegal disposal of toxic substances causes environmental damage.

- ▶ Take suitable safety precautions and prevent health hazards or environmental pollution by toxic process media.
- ▶ Decontaminate affected parts before carrying out maintenance work.
- ▶ Wear protective equipment.

**2.3 Safety precautions**

The product is designed according to the latest technology and recognized safety engineering rules. Nevertheless, improper use can result in danger to operator all third party life and limb, and product damage and additional property damage.

**i**

**Duty to provide information on potential dangers**

The product holder or user is obliged to make all operating personnel aware of dangers posed by this product.

Every person who is involved in the installation, operation or maintenance of the product must read, understand and adhere to the safety-related parts of this document.



#### Infringement of conformity due to modifications to the product

The Declaration of Conformity from the manufacturer is no longer valid if the operator changes the original product or installs additional equipment.

- Following the installation into a system, the operator is required to check and re-evaluate the conformity of the overall system in the context of the relevant European Directives, before commissioning that system.

#### General safety precautions when handling the product

- ▶ Observe all applicable safety and accident prevention regulations.
- ▶ Check that all safety measures are observed at regular intervals.
- ▶ Pass on safety instructions to all other users.
- ▶ Do not expose body parts to the vacuum.
- ▶ Always ensure a secure connection to the earthed conductor (PE).
- ▶ Never disconnect plug connections during operation.
- ▶ Observe the above shutdown procedures.
- ▶ Keep lines and cables away from hot surfaces (> 70 °C).
- ▶ Do not carry out your own conversions or modifications on the device.
- ▶ Observe the unit protection degree prior to installation or operation in other environments.
- ▶ Provide suitable touch protection, if the surface temperature exceeds 70 °C.
- ▶ Inform yourself about any contamination before starting work.

## 2.4 Limits of use of product

Parameter	Value
Relative humidity of air	At temperatures up to +31°C max. 80% At temperatures up to +40°C max. 50%
Mounting orientation	Arbitrary
Usage	Only in indoor areas
Installation altitude max.	2000 m MSL
Degree of pollution	2
Protection degree	IP40

Tbl. 5: Permissible ambient conditions

## 2.5 Proper use

The gauge provides a vacuum measurement of gases within the range of  $1 \times 10^{-4}$  to 1000 hPa.

#### Use the product according to its intended purpose

- ▶ Operate the gauge with a Pfeiffer Vacuum total pressure measuring and control unit or with an evaluation unit provided by the customer.
- ▶ Install, operate and maintain the gauge exclusively as prescribed in these operating instructions.
- ▶ Observe the limits of use according to the technical data.
- ▶ Observe the technical data.

## 2.6 Foreseeable improper use

Improper use of the product invalidates all warranty and liability claims. Any use that is counter to the purpose of the product, whether intentional or unintentional, is regarded as improper use; in particular:

- Use outside the mechanical and electrical limits of use
- Use with corrosive or explosive media, if this is not explicitly permitted
- Use for the measurement of highly flammable or combustible gases mixed with an oxidizing agent (e.g. atmospheric oxygen) within the explosion limits
- Use outdoors
- Use after technical changes (inside or outside on the product)
- Use with replacement or accessory parts that are not suitable or not approved

## 2.7 Responsibilities and warranty

Pfeiffer Vacuum shall assume no responsibilities and warranty if the operating company or a third party:

- disregards this document
- does not use the product for its intended purpose
- carries out any modifications to the product (conversions, changes, etc.) that are not listed in the corresponding product documentation
- operates the product with accessories that are not listed in the corresponding product documentation

The operator is responsible for the process media used.

## 2.8 Owner requirements

### Safety-conscious working

1. Only operate the product in a technically flawless state.
2. Operate the product in line with its intended purpose, safety and hazard-conscious and only in compliance with these operating instructions.
3. Fulfill the following instructions and monitor the observation of the following instructions:
  - Proper use
  - Generally applicable safety instructions and accident prevention regulations
  - International, national and locally applicable standards and guidelines
  - Additional product-related guidelines and regulations
4. Only use original parts or parts approved by Pfeiffer Vacuum.
5. Keep the operating instructions available at the place of installation.
6. Ensure personnel qualification.

## 2.9 Personnel qualification

The work described in this document may only be carried out by persons who have appropriate professional qualifications and the necessary experience or who have completed the necessary training as provided by Pfeiffer Vacuum.

### Training people

1. Train the technical personnel on the product.
2. Only let personnel to be trained work with and on the product when under the supervision of trained personnel.
3. Only allow trained technical personnel to work with the product.
4. Before starting work, make sure that the commissioned personnel have read and understood these operating instructions and all applicable documents, in particular the safety, maintenance and repair information.

### 2.9.1 Ensuring personnel qualification

#### Specialist for mechanical work

Only a trained specialist may carry out mechanical work. Within the meaning of this document, specialists are people responsible for construction, mechanical installation, troubleshooting and maintenance of the product, and who have the following qualifications:

- Qualification in the mechanical field in accordance with nationally applicable regulations
- Knowledge of this documentation

#### Specialist for electrotechnical work

Only a trained electrician may carry out electrical engineering work. Within the meaning of this document, electricians are people responsible for electrical installation, commissioning, troubleshooting, and maintenance of the product, and who have the following qualifications:

- Qualification in the electrical engineering field in accordance with nationally applicable regulations
- Knowledge of this documentation

In addition, these individuals must be familiar with applicable safety regulations and laws, as well as the other standards, guidelines, and laws referred to in this documentation. The above individuals must have an explicitly granted operational authorization to commission, program, configure, mark, and earth devices, systems, and circuits in accordance with safety technology standards.

**Trained individuals**

Only adequately trained individuals may carry out all works in other transport, storage, operation and disposal fields. Such training must ensure that individuals are capable of carrying out the required activities and work steps safely and properly.

**2.9.2 Personnel qualification for maintenance and repair****Advanced training courses**

Pfeiffer Vacuum offers advanced training courses to maintenance levels 2 and 3.

Adequately trained individuals are:

- **Maintenance level 1**
  - Customer (trained specialist)
- **Maintenance level 2**
  - Customer with technical education
  - Pfeiffer Vacuum service technician
- **Maintenance level 3**
  - Customer with Pfeiffer Vacuum service training
  - Pfeiffer Vacuum service technician

**2.9.3 Advanced training with Pfeiffer Vacuum**

For optimal and trouble-free use of this product, Pfeiffer Vacuum offers a comprehensive range of courses and technical trainings.

For more information, please contact [Pfeiffer Vacuum technical training](#).

**2.10 Operator requirements****Observing relevant documents and data**

1. Read, observe and follow this operating instruction and the work instructions prepared by the operating company, in particular the safety and warning instructions.
2. Install, operate and maintain the product only in accordance with these operating instructions.
3. Carry out all work only on the basis of the complete operating instructions and applicable documents.
4. Comply with the limits of use.
5. Observe the technical data.
6. Please contact the Pfeiffer Vacuum Service Center if your questions on operation or maintenance of the product are not answered in these operating instructions.
  - You can find information in the [Pfeiffer Vacuum service area](#).

## 3 Product description

### 3.1 Function

The gauge is equipped with a Pirani measuring system.

The measuring signal is logarithmically dependent on the pressure across the entire measuring range.

### 3.2 Status display

The total pressure measuring and control unit provides information regarding the operating status of the gauge.

You can obtain further details in the total pressure measuring and control unit operating instructions.

### 3.3 Identifying the product

You will need all the data from the rating plate to safely identify the product when communicating with Pfeiffer Vacuum.

- ▶ To ensure clear identification of the product when communicating with Pfeiffer Vacuum, always keep all of the information on the rating plate to hand.

### 3.4 Scope of delivery

The shipment includes the following parts:

- Gauge
- Stylus (Ø 1.1 mm)
- Brief instructions

#### **Unpacking the product and checking completeness of the shipment**

1. Unpack the product.
2. Remove the transport fasteners, transport protection etc.
3. Store the transport fasteners, transport protection etc. in a safe place.
4. Check that the shipment is complete.
5. Ensure that no parts are damaged.



## 4 Transport and storage

### 4.1 Transporting the product

#### NOTICE

##### Damage caused by incorrect transport

Transport in unsuitable packaging or failure to install all transport locks can result in damage to the product.

- ▶ Comply with the instructions for safe transport.



##### Packing

We recommend keeping the transport packaging and original protective cover.

##### Transport product safely

- ▶ Observe the weight specified on the transport packaging.
- ▶ Where possible, always transport or ship the product in the original transport packaging.
- ▶ Always use dense and impact-proof transport packaging for the product.
- ▶ Remove the existing protective cover and transport protections only immediately prior to installation.
- ▶ Reattach transport locks and transport protections prior to each transport.

### 4.2 Storing the product

#### NOTICE

##### Damage caused by improper storage

Improper storage will lead to damage to the product.

Static charging, moisture, etc. will lead to defects on the electronic components.

- ▶ Comply with the instructions for safe storage.



##### Packing

We recommend storing the product in its original packaging.

##### Store product safely

- ▶ Store the product in a cool, dry, dust-free place, where it is protected against impacts and mechanical vibration.
- ▶ Always use dense and impact-proof packaging for the product.
- ▶ Where possible, store the product in its original packaging.
- ▶ Store electronic components in antistatic packaging.
- ▶ Maintain the permissible storage temperature.
- ▶ Avoid extreme fluctuations of the ambient temperature.
- ▶ Avoid high air humidity.
- ▶ Seal connections with the original protective caps.
- ▶ Protect the product with the original transport protection (where available).

## 5 Installation

### 5.1 Establishing vacuum connection

#### DANGER

##### **Risk to life due to electric shock**

An improperly earthed product is potentially fatal in the event of a fault.

- ▶ Connect the product galvanically with the earthed vacuum chamber.
- ▶ Ensure that the connection complies with the requirements of a protective bonding according to EN 61010. (CF and VCR connections comply with this requirement.)
- ▶ Use electrically conductive centering rings and circlips for KF connections.

#### DANGER

##### **Risk to life due to electric shock**

If no earth connection is established, voltage flows become hazardous to the touch and could lead to electronic components sustaining damage.

- ▶ Always tighten the electronic unit with the grub screw.
- ▶ Ensure that the grub screw of the electronic unit has been tightened correctly.

#### WARNING

##### **Risk of injury resulting from overpressure in the vacuum system**

Opening tensioning pieces with an overpressure > 1000 hPa in the vacuum system can lead to injuries as a result of flying parts, and escaping process medium could prove harmful to health.

Elastomer seals in KF connections (e.g. O-rings) are not resistant to pressures > 2500 hPa. This could prove harmful to health due to escaping process medium.

- ▶ Do not open any tensioning pieces when overpressure is prevalent in the vacuum system.
- ▶ Use suitable tensioning pieces for overpressure.
- ▶ Use tensioning pieces which can only be opened and closed using a tool (e.g. tightening strap-circlip).
- ▶ Use sealing rings with an outer centering ring.

#### WARNING

##### **Risk of poisoning from toxic process gases escaping**

High mechanical, chemical, or thermal stress causes leaks in the sensor. In processes involving toxic process media, there is a risk of injury and danger to life from poisoning by escaping gas in the event of overpressure in the vacuum system.

- ▶ Prevent high mechanical, chemical, or thermal stress from occurring.
- ▶ Prevent overpressure from occurring in the vacuum system.
- ▶ Take appropriate measures to prevent hazards or damage caused by the release of process media, such as gas supply interruption, extraction, or leak testing.

#### **NOTICE**

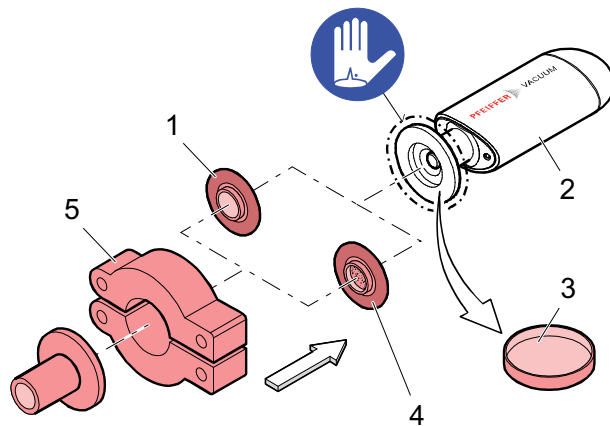
##### **Impairment from contamination and damage**

Touching the devices or components with bare hands increases the desorption rate and leads to incorrect measurements. Dirt (e.g. dust, fingerprints, etc.) and damage impair the function.

- ▶ When working on high or ultra high vacuum systems, always wear clean, lint-free and powder-free laboratory gloves.
- ▶ Only use clean tools.
- ▶ Make sure that the connection flanges are free of grease.
- ▶ Remove protective caps and protective covers from flanges and connections only when necessary.
- ▶ Carry out all work in a well lit area.

### Prerequisites

- Appropriate ambient conditions
- Operating temperature within permissible range
- Adequate room available for electrical connection (e.g. permissible bending radii for cables)



**Fig. 1: Establishing vacuum connection**

- |                            |                                       |
|----------------------------|---------------------------------------|
| 1 Seal with centering ring | 4 Seal with centering ring and filter |
| 2 Electronic unit          | 5 Tensioning piece                    |
| 3 Protective cap           |                                       |

### Recommendations

- ▶ If possible, make sure that the gauge is not exposed to any vibrations during operation, as vibrations will lead to deviations in the measured values.
- ▶ Mount the gauge in a horizontal to upright mounting orientation (flange facing downwards).
  - This prevents condensate and particles from accumulating in the measurement chamber.
- ▶ Fit a seal with centering ring and filter for applications susceptible to pollution and to protect the measuring system against contamination.
- ▶ Ensure that the button and the switch of the gauge can be easily accessed with the stylus once fitted.
- ▶ Remove the electronic unit of the gauge temporarily wherever installation is only possible with the electronic unit removed.
  - This will facilitate assembly of the CF flange connection.

### Procedure

1. Remove the protective cap and store in a safe place.
2. Assemble the gauge with vacuum components from the [Pfeiffer Vacuum Components Shop](#) on the vacuum system.
3. If it was previously necessary to remove the electronic unit of the gauge, assemble the electronic unit once again.

## 5.2 Electronic unit

### **⚠ DANGER**

#### **Risk to life due to electric shock**

An improperly earthed product is potentially fatal in the event of a fault.

- ▶ Connect the product galvanically with the earthed vacuum chamber.
- ▶ Ensure that the connection complies with the requirements of a protective bonding according to EN 61010. (CF and VCR connections comply with this requirement.)
- ▶ Use electrically conductive centering rings and circlips for KF connections.

**⚠ DANGER**

**Risk to life due to electric shock**  
If no earth connection is established, voltage flows become hazardous to the touch and could lead to electronic components sustaining damage.

- ▶ Always tighten the electronic unit with the grub screw.
- ▶ Ensure that the grub screw of the electronic unit has been tightened correctly.

**NOTICE**

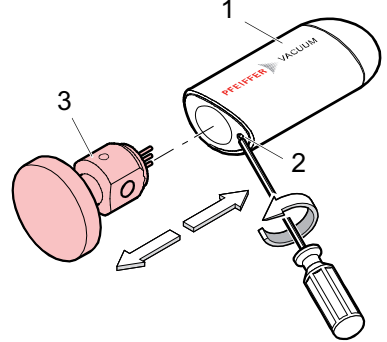
**Impairment from contamination and damage**  
Touching the devices or components with bare hands increases the desorption rate and leads to incorrect measurements. Dirt (e.g. dust, fingerprints, etc.) and damage impair the function.

- ▶ When working on high or ultra high vacuum systems, always wear clean, lint-free and powder-free laboratory gloves.
- ▶ Only use clean tools.
- ▶ Make sure that the connection flanges are free of grease.
- ▶ Remove protective caps and protective covers from flanges and connections only when necessary.
- ▶ Carry out all work in a well lit area.

Removal of the electronic unit should facilitate assembly and baking out of the gauge.

**Required tool**

- Allen key, **WAF 1.5**



**Fig. 2: Electronic unit**

1 Electronic unit	3 Measuring system
2 Set screw	

**Removing the electronic unit**

1. Loosen the set screw on the side of the electronic unit.
2. Remove the electronic unit without any rotary movement of the measuring system.

**Assembling the electronic unit**

1. Carefully fit the electronic unit onto the measuring system.
2. Push the electronic unit as far as the stop.
3. Secure the set screw on the side of the electronic unit.

## 5.3 Establishing electric connection

### **⚠ DANGER**

#### **Danger to life due to dangerous contact voltage**

Voltages above 30 V (AC) or 60 V (DC) are considered dangerous in accordance with EN 61010. If you come into contact with dangerous contact voltage, this can result in injury through electric shocks or even death.

- ▶ Only connect the product to devices which meet the following criteria:
  - Requirements of the earthed protective extra-low voltage (PELV)
  - Limited power source (LPS) Class 2
- ▶ Secure the line to the product.
  - Pfeiffer Vacuum measuring and control equipment complies with this requirement.

### **NOTICE**

#### **Damage sustained as a result of improper connection**

Improper connection, incorrect polarity or impermissible supply voltage will damage the gauge.

- ▶ Always connect the supply earth (Pin 5) with the earth for the supply unit.
- ▶ Always connect the shielding (Pin 6) with the earth for the supply unit.

#### **Required tools**

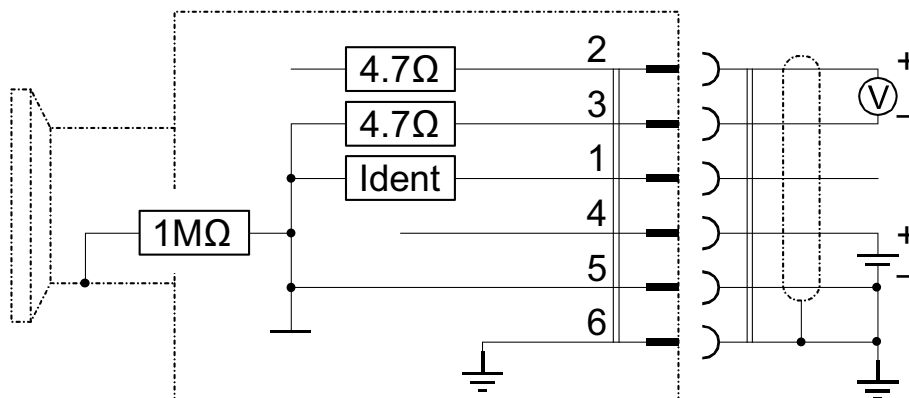
- Crosshead screwdriver
- Torque wrench ( $\leq 0.2$  Nm)

#### **Required materials**

- Measurement cable for a Pfeiffer vacuum total pressure measuring and control unit from the [ActiveLine accessories](#)
- Self-fabricated measurement cable for an evaluation unit provided by the customer
- Hirschmann cable socket

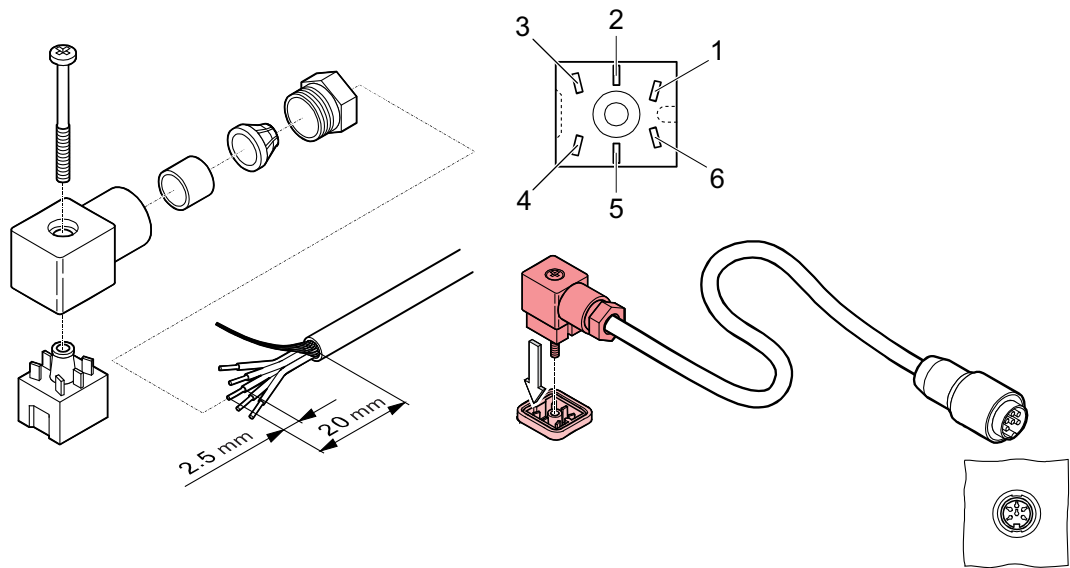
#### **Establishing electric connection**

1. Connect the measurement cable to the gauge.
2. Tighten the locking screw on the Hirschmann cable socket.
  - Tightening torque:  $\leq 0.2$  Nm
3. Connect the gauge to a Pfeiffer Vacuum total pressure measuring and control unit or an evaluation unit provided by the customer.



**Fig. 3: Connection diagram**

- |                    |                       |
|--------------------|-----------------------|
| 1 Identification   | 4 Supply              |
| 2 Measuring signal | 5 Supply ground (GND) |
| 3 Signal ground    | 6 Shielding           |



**Fig. 4: Measurement cable and Hirschmann cable socket**

**Manufacturing measurement cable**

Additional information regarding the measurement cable type and conductor cross-sections can be obtained from the technical data.

1. Observe the following steps to ensure optimum signal quality, whereby ground loops, differences in potential or EMC will influence the measuring signal.
2. Use a cable with braided shield.
3. Connect the supply earth directly with the protective earth for power supply pack.
4. Use a differential measuring input with separate signal earth and supply earth.
5. Ensure that the potential difference for surge protection between the supply earth and the housing is  $\leq 6$  V.
6. Assemble the Hirschmann cable socket.

**Assembling the Hirschmann cable socket**

1. Prepare the Hirschmann cable socket as shown in the "Measurement cable and Hirschmann cable socket" diagram.
2. Solder in the connection cable according to the connection diagram.
3. Assemble the Hirschmann cable socket.

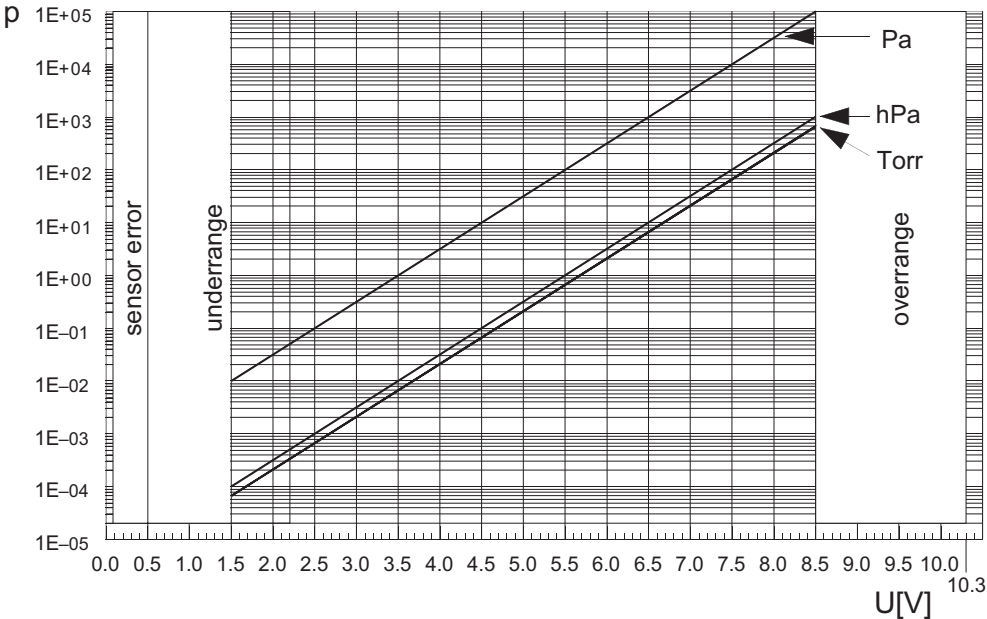
# 6 Operation

Once the supply voltage has been established, the measuring signal is available at the electrical connection between pins 2 and 3.

**Recommendations**

- ▶ Respect the minimum stabilization period of 10 minutes.
- ▶ Respect the relation between measuring signal and pressure.
- ▶ Leave the gauge switched on at all times, regardless of the prevalent pressure.

## 6.1 Converting measuring signal and pressure



**Fig. 5: Relation between measuring signal and pressure**

p Pressure                      U Measuring signal [V] (output voltage)

Measuring signal (U)	Pressure (p)	Constant (c) <sup>1)</sup>
[V]	[hPa]	5.5
	[mbar]	
	[Torr]	5.625
	[micron]	2.625
	[Pa]	3.5

**Tbl. 6: Constants for converting measuring signal and pressure**

**Converting measuring signal and pressure**

**Validity range**

- $1 \times 10^{-4} \text{ hPa} < p < 1000 \text{ hPa}$
- $1.33 \times 10^{-4} \text{ Torr} < p < 750 \text{ Torr}$
- $1 \times 10^{-2} \text{ Pa} < p < 1 \times 10^5 \text{ Pa}$
- ▶ Observe the constants for converting the measuring signal and pressure.
- ▶ Convert the measuring signal into pressure:  

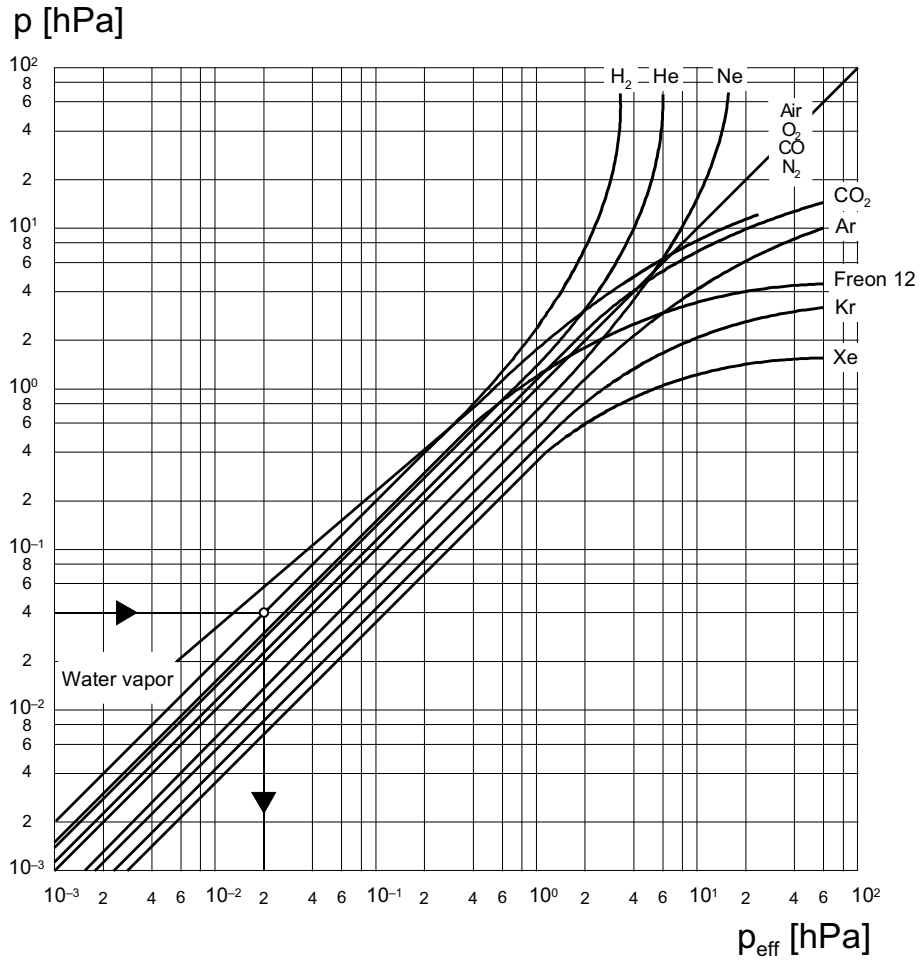
$$p = 10^{(U-c)}$$
- ▶ Convert the pressure into the measuring signal:  

$$U = c + \log_{10} p$$

1) Dependent upon unit of pressure

## 6.2 Determining effective pressure with correction factors

The measuring signal is gas type-dependent. The characteristics apply for nitrogen (N<sub>2</sub>), oxygen (O<sub>2</sub>), dry air and carbon monoxide (CO).



**Fig. 6: Displayed pressure**

Within the pressure range < 1 hPa, the display is linear.



**Gas and vapor mixtures**

Process gases are mostly mixtures of gas and vapor. Precise measuring of gas and vapor mixtures is only possible using partial pressure measurement instruments, for example a quadrupole mass spectrometer.

Gas type	Correction factor (C)
Air, oxygen (O <sub>2</sub> ), carbon monoxide (CO), nitrogen (N <sub>2</sub> )	1.0
Hydrogen (H <sub>2</sub> )	0.5
Carbon dioxide (CO <sub>2</sub> )	0.9
Water vapor	0.5
Helium (He)	0.8
Neon (Ne)	1.4
Argon (Ar)	1.7
Krypton (Kr)	2.4

The correction factors provided are mean values.



Gas type	Correction factor (C)
Xenon (Xe)	3.0
Dichlorodifluoromethane (CCl <sub>2</sub> F <sub>2</sub> , R12)	0.7

The correction factors provided are mean values.

**Tbl. 7: Correction factor for pressure range < 1 hPa**

**Entering correction factor in total pressure measuring and control unit**

- ▶ Enter the correction factor to correct the displayed measured value.

**Calculating pressure for gases other than air**

- ▶ Calculate the effective pressure using the following formula:

$$P_{\text{eff}} = C \times p$$

- $P_{\text{eff}}$  = Effective pressure
- $C$  = Correction factor
- $p$  = Displayed pressure (gauge calibrated for air)

## 7 Dismantling

### DANGER

#### Risk to life due to electric shock

An improperly earthed product is potentially fatal in the event of a fault.

- ▶ Connect the product galvanically with the earthed vacuum chamber.
- ▶ Ensure that the connection complies with the requirements of a protective bonding according to EN 61010. (CF and VCR connections comply with this requirement.)
- ▶ Use electrically conductive centering rings and circlips for KF connections.

### WARNING

#### Health hazard through poisoning from toxic contaminated components or devices

Toxic process media result in contamination of devices or parts of them. During maintenance work, there is a risk to health from contact with these poisonous substances. Illegal disposal of toxic substances causes environmental damage.

- ▶ Take suitable safety precautions and prevent health hazards or environmental pollution by toxic process media.
- ▶ Decontaminate affected parts before carrying out maintenance work.
- ▶ Wear protective equipment.

### WARNING

#### Risk of injury resulting from overpressure in the vacuum system

Opening tensioning pieces with an overpressure > 1000 hPa in the vacuum system can lead to injuries as a result of flying parts, and escaping process medium could prove harmful to health.

Elastomer seals in KF connections (e.g. O-rings) are not resistant to pressures > 2500 hPa. This could prove harmful to health due to escaping process medium.

- ▶ Do not open any tensioning pieces when overpressure is prevalent in the vacuum system.
- ▶ Use suitable tensioning pieces for overpressure.
- ▶ Use tensioning pieces which can only be opened and closed using a tool (e.g. tightening strap-circlip).
- ▶ Use sealing rings with an outer centering ring.

### NOTICE

#### Impairment from contamination and damage

Touching the devices or components with bare hands increases the desorption rate and leads to incorrect measurements. Dirt (e.g. dust, fingerprints, etc.) and damage impair the function.

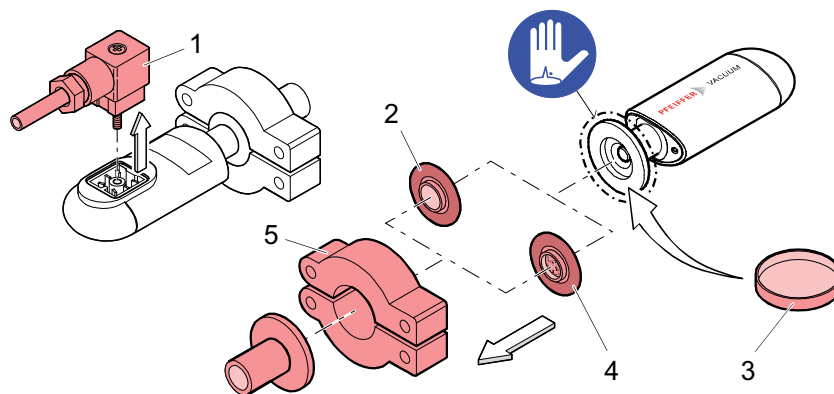
- ▶ When working on high or ultra high vacuum systems, always wear clean, lint-free and powder-free laboratory gloves.
- ▶ Only use clean tools.
- ▶ Make sure that the connection flanges are free of grease.
- ▶ Remove protective caps and protective covers from flanges and connections only when necessary.
- ▶ Carry out all work in a well lit area.

#### Prerequisites

- Vacuum system vented to atmospheric pressure
- Supply voltage switched off

#### Required tool

- Crosshead screwdriver



**Fig. 7: Removing gauge**

- |                            |                                       |
|----------------------------|---------------------------------------|
| 1 Measurement cable        | 4 Seal with centering ring and filter |
| 2 Seal with centering ring | 5 Tensioning piece                    |
| 3 Protective cap           |                                       |

### Removing gauge

1. Loosen the locking screw of the Hirschmann cable socket on the gauge.
2. Disconnect the measurement cable from the gauge.
3. Recommendation: Remove the electronic unit of the gauge temporarily if disassembling is only possible with the electronic unit removed.
  - This will facilitate disassembling of the CF flange connection.
4. Remove the gauge from the vacuum system.
5. Fit the protective cap on the connection flange.

## 8 Maintenance

### WARNING

#### Health hazard through poisoning from toxic contaminated components or devices

Toxic process media result in contamination of devices or parts of them. During maintenance work, there is a risk to health from contact with these poisonous substances. Illegal disposal of toxic substances causes environmental damage.

- ▶ Take suitable safety precautions and prevent health hazards or environmental pollution by toxic process media.
- ▶ Decontaminate affected parts before carrying out maintenance work.
- ▶ Wear protective equipment.



#### Maintenance in the Pfeiffer Vacuum Service Center

Pfeiffer Vacuum offers a complete maintenance service for all products.

Pfeiffer Vacuum recommends: Contact your Pfeiffer Vacuum Service Center to arrange the maintenance of defective products and components.



#### Cleaning in the Pfeiffer Vacuum Service Center

Pfeiffer Vacuum recommends: Contact your nearest Pfeiffer Vacuum Service Center to arrange the cleaning of heavily-soiled products and components.



#### Warranty claim

Opening the device during the warranty period or damaging/removing the warranty seal will void the warranty.

Contact the Pfeiffer Vacuum Service Center in the event of process-related shorter maintenance intervals.



#### First read through the sections completely

Read the section with the work instructions through completely first before you commence with work.

Other climatic conditions, long-term operation, extreme temperatures, a different mounting orientation, and aging or contamination can lead to a zero point shift in the Pirani measurement system. A zero point shift will necessitate recalibration or cleaning.

### 8.1 Cleaning of components

### DANGER

#### Danger to life from electric shock caused by moisture ingress

Water that has entered the unit will result in personal injury through electric shocks.

- ▶ Only operate the unit in a dry environment.
- ▶ Operate the unit away from fluids and sources of moisture.
- ▶ Do not switch on the unit if fluid has entered it. Instead contact Pfeiffer Vacuum Service.
- ▶ Always disconnect the power supply before cleaning the unit.

### WARNING

#### Health hazards due to cleaning agent

The cleaning agent being used causes health hazards which could include, for example, poisoning, allergies, skin irritations, chemical burns or damage to the airways.

- ▶ When handling cleaning agents, observe the applicable regulations.
- ▶ Adhere to safety measures regarding handling and disposal of cleaning agents.
- ▶ Be aware of potential reactions with product materials.

**NOTICE****Damage caused by penetrating moisture**

Penetrating moisture, e.g. through condensation or dripping water, damages the unit.

- ▶ Protect the unit against penetration of moisture.
- ▶ Only operate the unit in a clean and dry environment.
- ▶ Operate the unit away from fluids and sources of moisture.
- ▶ Take special precautions if there is a risk of dripping water.
- ▶ Do not switch on the unit if fluid has penetrated into it, instead contact the Pfeiffer Vacuum Service Center.

**NOTICE****Damage caused by unsuitable cleaning agents**

Unsuitable cleaning agents damage the product.

- ▶ Do not use solvents as they attack the surface.
- ▶ Do not use any aggressive or abrasive cleaning agents.

**Required consumables**

- Industrial alcohol
- Cloth (soft, lint-free)

**External cleaning of the device**

1. Always use a cloth soaked in industrial alcohol for external cleaning.
2. Allow the surfaces to dry thoroughly after cleaning.

## 8.2 Calibrating the gauge

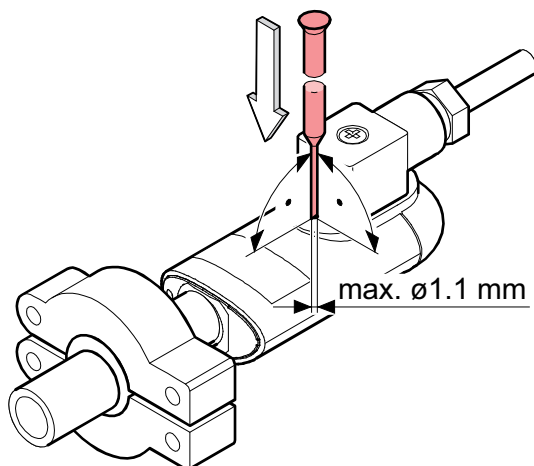
Pfeiffer Vacuum has calibrated the gauge to standard values at the factory.

**Setting the gauge to other pressure values**

You can set the gauge to other pressure values. However, the precise pressure value (reference measurement) is required in order to do this.

**Required tool**

- Stylus (max.  $\varnothing$  1.1 mm)



**Fig. 8: Calibrating the gauge**

**Preparing for calibration**

1. Ensure the same installation and ambient conditions as those applicable for normal use.
2. Check the filter for contamination as required.
3. Replace the filter if the filter is contaminated or damaged.
4. Put the gauge into operation.

**Performing an HV calibration**

1. Put the gauge into operation.
2. Evacuate the vacuum system to a pressure of  $\ll 10^{-4}$  hPa (recommended) for a calibration to standard values, or to a pressure between  $10^{-4}$  and  $10^{-2}$  hPa for a calibration to a specific pressure value.
3. Wait for at least 2 minutes.
4. For a **calibration to standard values**, press the button using a stylus.
  - The gauge calibrates to  $1 \times 10^{-4}$  hPa (standard) (1.5 V DC).
5. For a **calibration to a specific pressure value**, hold the button pressed for longer than 5 seconds using a stylus.
  - The calibration pressure changes towards  $1 \times 10^{-2}$  hPa until you release the button or reach the setting limit.

**Performing an ATM calibration**

1. Put the gauge into operation.
2. Operate the gauge for at least 10 minutes at atmospheric pressure.
3. Press the button using a stylus.
  - The gauge calibrates to 1000 hPa (standard) (8.5 V DC).
4. Hold the button pressed for longer than 5 seconds using a stylus.
  - The calibration pressure changes towards 1200 hPa (or alternatively towards 500 hPa) until you release the button or reach the setting limit.

## 8.3 Replacing the measuring system

**NOTICE****Impairment from contamination and damage**

Touching the devices or components with bare hands increases the desorption rate and leads to incorrect measurements. Dirt (e.g. dust, fingerprints, etc.) and damage impair the function.

- ▶ When working on high or ultra high vacuum systems, always wear clean, lint-free and powder-free laboratory gloves.
- ▶ Only use clean tools.
- ▶ Make sure that the connection flanges are free of grease.
- ▶ Remove protective caps and protective covers from flanges and connections only when necessary.
- ▶ Carry out all work in a well lit area.

You will need to replace the measuring system in the following instances:

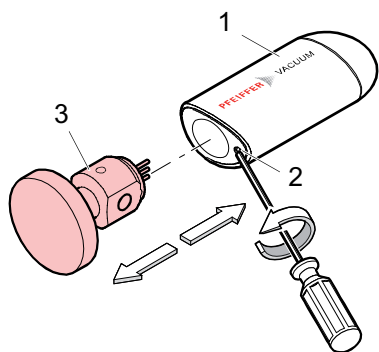
- Measuring system heavily contaminated
- Measuring system defective (e.g. broken filament)

**Required tool**

- Allen key, **WAF 1.5**

**Spare part required**

- Replacement measuring system



**Fig. 9: Replacing the measuring system**

- |                         |                    |
|-------------------------|--------------------|
| 1 Electronic unit       | 3 Measuring system |
| 2 Grub screw, set screw |                    |

#### Replacing the measuring system

1. Remove the gauge from the vacuum system.
2. Remove the electronic unit from the defective measuring system.
3. Assemble the electronic unit on the new measuring system.
4. Reconnect the gauge to the vacuum system.
5. Establish the electrical connection.
6. Calibrate the measuring system.

## 9 Shipping

### **WARNING**

#### **Risk of poisoning from contaminated products**

Where products that contain harmful substances are shipped for maintenance or repair purposes, the health and safety of service personnel is at risk.

- ▶ Comply with the instructions for safe distribution.



#### **Decontamination subject to charge**

Pfeiffer Vacuum decontaminates products not clearly declared "Free of contamination" at your expense.

#### **Ship product safely**

- ▶ Do not ship microbiological, explosive or radioactively contaminated products.
- ▶ Observe the shipping guidelines for the participating countries and transport companies.
- ▶ Highlight any potential dangers on the outside of the packaging.
- ▶ Download the explanation for contamination at [Pfeiffer Vacuum Service](#).
- ▶ Always enclose a completed declaration of contamination.



## 10 Recycling and disposal

### WARNING

#### Health hazard through poisoning from toxic contaminated components or devices

Toxic process media result in contamination of devices or parts of them. During maintenance work, there is a risk to health from contact with these poisonous substances. Illegal disposal of toxic substances causes environmental damage.

- ▶ Take suitable safety precautions and prevent health hazards or environmental pollution by toxic process media.
- ▶ Decontaminate affected parts before carrying out maintenance work.
- ▶ Wear protective equipment.



#### Environmental protection

You **must** dispose of the product and its components in accordance with all applicable regulations for protecting people, the environment and nature.

- Help to reduce the wastage of natural resources.
- Prevent contamination.

### 10.1 General disposal information

Pfeiffer Vacuum products contain materials that you must recycle.

- ▶ Dispose of our products according to the following:
  - Iron
  - Aluminium
  - Copper
  - Synthetic
  - Electronic components
  - Oil and fat, solvent-free
- ▶ Observe the special precautionary measures when disposing of:
  - Fluoroelastomers (FKM)
  - Potentially contaminated components that come into contact with media

### 10.2 Dispose of gauges

Pfeiffer Vacuum gauges contain materials that you must recycle.

1. Dismantle the electronic unit.
2. Decontaminate the components that come into contact with process gases.
3. Separate the components into recyclable materials.
4. Recycle the non-contaminated components.
5. Dispose of the product or components in a safe manner according to locally applicable regulations.

# 11 Service solutions by Pfeiffer Vacuum

## We offer first-class service

High vacuum component service life, in combination with low downtime, are clear expectations that you place on us. We meet your needs with efficient products and outstanding service.

We are always focused on perfecting our core competence – servicing of vacuum components. Once you have purchased a product from Pfeiffer Vacuum, our service is far from over. This is often exactly where service begins. Obviously, in proven Pfeiffer Vacuum quality.

Our professional sales and service employees are available to provide you with reliable assistance, worldwide. Pfeiffer Vacuum offers an entire range of services, from [original replacement parts](#) to [service contracts](#).

## Make use of Pfeiffer Vacuum service

Whether preventive, on-site service carried out by our field service, fast replacement with mint condition replacement products, or repair carried out in a [Service Center](#) near you – you have various options for maintaining your equipment availability. You can find more detailed information and addresses on our homepage, in the section.

**You can obtain advice on the optimal solution for you, from your [Pfeiffer Vacuum representative](#).**

**For fast and smooth service process handling, we recommend the following:**



1. Download the up-to-date form templates.
  - [Explanations of service requests](#)
  - [Service requests](#)
  - [Contamination declaration](#)



- a) Remove and store all accessories (all external parts, such as valves, protective screens, etc.).
  - b) If necessary, drain operating fluid/lubricant.
  - c) If necessary, drain coolant.
2. Complete the service request and contamination declaration.



3. Send the forms by email, fax, or post to your local [Service Center](#).

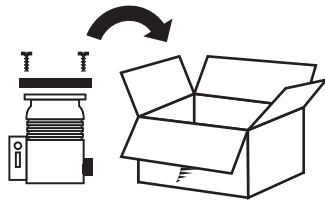


4. You will receive an acknowledgment from Pfeiffer Vacuum.

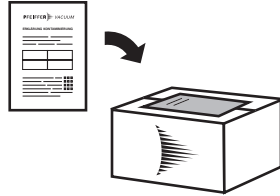
PFEIFFER VACUUM

## Submission of contaminated products

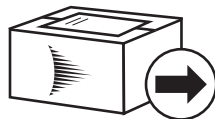
No microbiological, explosive, or radiologically contaminated products will be accepted. Where products are contaminated, or the contamination declaration is missing, Pfeiffer Vacuum will contact you before starting service work. Depending on the product and degree of pollution, **additional decontamination costs** may be incurred.



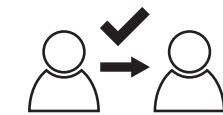
5. Prepare the product for transport in accordance with the provisions in the contamination declaration.
  - a) Neutralize the product with nitrogen or dry air.
  - b) Seal all openings with blind flanges, so that they are airtight.
  - c) Shrink-wrap the product in suitable protective foil.
  - d) Package the product in suitable, stable transport containers only.
  - e) Maintain applicable transport conditions.



6. Attach the contamination declaration to the **outside** of the packaging.



7. Now send your product to your local Service Center.



8. You will receive an acknowledgment/quotation, from Pfeiffer Vacuum.

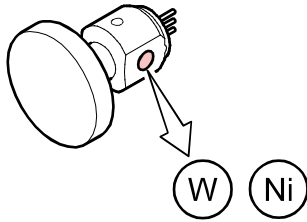
PFEIFFER VACUUM

Our sales and delivery conditions and repair and maintenance conditions for vacuum devices and components apply to all service orders.

## 12 Spare parts

### Ordering spare parts

- ▶ Have the part number to hand, along with other details from the rating plate as required.
- ▶ Install original spare parts only.



**Fig. 10: Replacement measuring system**

W Tungsten filament      Ni Nickel filament

Gauges		Filament	Order number (replacement measuring system)
TPR 280	DN 16 ISO-KF	W	PT 120 133-T
	DN 16 ISO-KF, long version		PT 120 134-T
	DN 16 CF-R		PT 120 135-T
	DN 16 CF-R, long version		PT 120 136-T
	8 VCR (1/2"), short version		PT 120 137-T
	1/8" NPT, short version		PT 120 138-T
TPR 281	DN 16 ISO-KF	Ni	PT 120 141-T
	DN 16 ISO-KF, long version		PT 120 142-T
	DN 16 CF-R		PT 120 143-T
	DN 16 CF-R, long version		PT 120 144-T

**Tbl. 8: Spare parts**

## 13 Accessories



View the [range of accessories for ActiveLine](#) on our website.

### 13.1 Accessory information

**Measurement cable**

Measurement cable in different lengths for connecting to a Pfeiffer Vacuum total pressure measuring and control unit

**Line connector (Hirschmann plug)**

Cable socket for fabrication of the application-specific connecting cable

**Seals with centering ring and filter**

Filters available in different pore sizes to protect the measuring system against contamination in the event of potential contaminating applications

### 13.2 Ordering accessories

Description	Order number
Measurement cable, 3 m	PT 448 250 -T
Measurement cable, 6 m	PT 448 251 -T
Measurement cable, 10 m <sup>2)</sup>	PT 448 252 -T
Mating connector, 6 pole	B4707283MA
Centering ring with sintered metal filter, 0,02 mm pore size, FKM/stainless steel, DN 16 ISO-KF	PF 117 216 -T
Centering ring with fine filter, 0,004 mm pore size, FKM/stainless steel, DN 16 ISO-KF	PT 120 132 -T

2) Further cable lengths are available up to 100 m.

## 14 Technical data and dimensions

### 14.1 General

	mbar	bar	Pa	hPa	kPa	Torr   mm Hg
mbar	1	$1 \cdot 10^{-3}$	100	1	0.1	0.75
bar	1000	1	$1 \cdot 10^5$	1000	100	750
Pa	0.01	$1 \cdot 10^{-5}$	1	0.01	$1 \cdot 10^{-3}$	$7.5 \cdot 10^{-3}$
hPa	1	$1 \cdot 10^{-3}$	100	1	0.1	0.75
kPa	10	0.01	1000	10	1	7.5
Torr   mm Hg	1.33	$1.33 \cdot 10^{-3}$	133.32	1.33	0.133	1

$$1 \text{ Pa} = 1 \text{ N/m}^2$$

**Tbl. 9: Conversion table: Pressure units**

	mbar l/s	Pa m <sup>3</sup> /s	sccm	Torr l/s	atm cm <sup>3</sup> /s
mbar l/s	1	0.1	59.2	0.75	0.987
Pa m <sup>3</sup> /s	10	1	592	7.5	9.87
sccm	$1.69 \cdot 10^{-2}$	$1.69 \cdot 10^{-3}$	1	$1.27 \cdot 10^{-2}$	$1.67 \cdot 10^{-2}$
Torr l/s	1.33	0.133	78.9	1	1.32
atm cm <sup>3</sup> /s	1.01	0.101	59.8	0.76	1

**Tbl. 10: Conversion table: Units for gas throughput**

### 14.2 Technical data

Parameter	Value	
Measuring range (air, O <sub>2</sub> , CO, N <sub>2</sub> )	$1 \times 10^{-4}$ – 1000 hPa	
Maximum pressure (absolute)	≤ 1000 kPa	
Measuring principle	Heat conduction according to Pirani	
Accuracy (N <sub>2</sub> )	$1 \times 10^{-4}$ – $1 \times 10^{-3}$ hPa	±50% of the measured value
	$1 \times 10^{-3}$ – 100 hPa	±15% of the measured value
	100 – 1000 hPa	±50% of the measured value
Resolution	1 % of the measured value	
Repeatability (air)	$1 \times 10^{-3}$ – 100 hPa	2 % of the measured value
Gauge calibration	Button for ATM and HV calibration	

**Tbl. 11: Measured and pressure values**

Parameter	Value	
Output signal (measuring signal)	Voltage range	0 – +9 V
	Measuring range	+1.5 – +8.5 V
	Error signal	0 V – +0.5 V +0.1 V (broken filament)
	Relation voltage-pressure	1 V/decade, logarithmic
Output impedance	$2 \times 4.7 \Omega$ , short circuit-proof	
Load impedance (minimum load)	> 10 kΩ, short-circuit proof	
Response time	80 ms	
Gauge identification	3.0 kΩ against supply earth (voltage to pin 1 ≤ 5 V)	

Parameter		Value
Supply voltage	At gauge	+14 – +30 V DC
	Ripple	$\leq 1 V_{pp}$
Current consumption		< 500 mA (max. switch-on current)
Power consumption		$\leq 1 W$
Fuse (to be connected in series) <sup>3)</sup>		1 AT
Connection (electrical)		Hirschmann GO 6 UM (6-pin, pins)
Measurement cable		5-pin, including shielding
Cable length		$\leq 150 m$ ( $5 \times 0.25 mm^2$ / conductor) $\leq 200 m$ ( $5 \times 0.34 mm^2$ / conductor)
Grounding concept	(see chapter "Establishing electric connection", page 21)	
	Vacuum connection and signal earth	Connected via 1 M $\Omega$ (voltage difference < 15 V)
	Supply earth and signal earth	Arranged separately; for differential measurement

**Tbl. 12: Electrical data**

Parameter		Value
Internal volume	Short version	approx. 1.5 cm <sup>3</sup>
	Long version	approx. 10 cm <sup>3</sup>
Weight	DN 16 ISO-KF, short version	80 g
	DN 16 CF-R, short version	100 g
	DN 16 ISO-KF, long version	130 g
	DN 16 CF-R, long version	140 g

**Tbl. 13: Internal volume and weight**

Parameter	Value
Relative humidity of air	At temperatures up to +31°C max. 80% At temperatures up to +40°C max. 50%
Mounting orientation	Arbitrary
Usage	Only in indoor areas
Installation altitude max.	2000 m MSL
Degree of pollution	2
Protection degree	IP40

**Tbl. 14: Ambient conditions**

Parameter	Value
Operation	+5 – +60 °C
Vacuum connection <sup>4)</sup>	$\leq 80 °C$ (short version) $\leq 250 °C$ (long version)
Filament <sup>5)</sup>	$\leq 110 °C$
Storage	-20 – +65 °C

**Tbl. 15: Temperatures**

- 3) Pfeiffer Vacuum measuring and control units comply with this requirement.
- 4) For horizontal installation. The technical data may deviate in measuring range, accuracy and repeatability for bake-out.
- 5) Cannot be influenced by the operator

Parameter		Value
Materials		Stainless steel 1.4301/1.4305/1.4435 Glass Ni, NiFe
Filament	TPR 280	Tungsten (W)
	TPR 281	Nickel (Ni)

Tbl. 16: Substances in contact with media

### 14.3 Dimensions

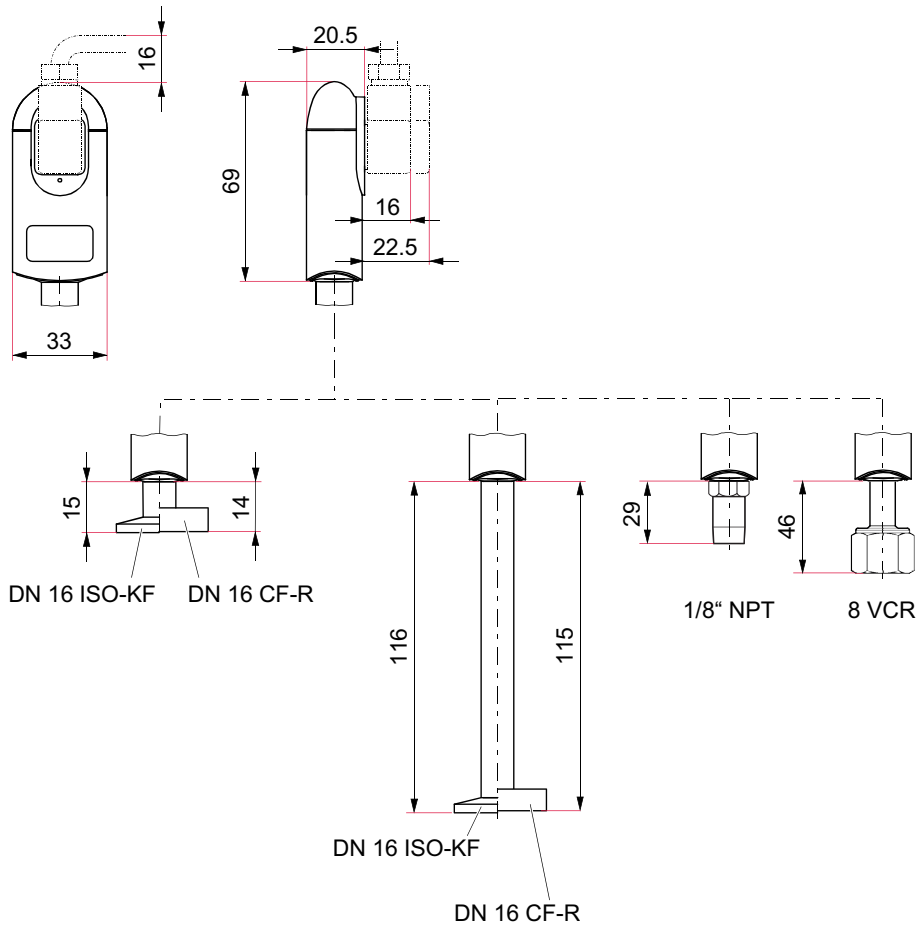


Fig. 11: Dimensions  
Dimensions in mm



# EC Declaration of Conformity

This declaration of conformity has been issued under the sole responsibility of the manufacturer.

Declaration for product(s) of the type:

## **Pirani gauge**

TPR 280

TPR 281

We hereby declare that the listed product satisfies all relevant provisions of the following **European Directives**.

**Electromagnetic compatibility 2014/30/EU**

**Restriction of the use of certain hazardous substances 2011/65/EU**

**Restriction of the use of certain hazardous substances, delegated directive 2015/863/EU**

## **Harmonized standards and applied national standards and specifications:**

DIN EN IEC 61000-6-2:2019

DIN EN IEC 61000-6-3:2022

DIN EN 61010-1:2020

DIN EN IEC 61326-1:2022

DIN EN IEC 63000:2019

---

Signature:



(Daniel Sälzer)  
Managing Director

Pfeiffer Vacuum GmbH  
Berliner Straße 43  
35614 Asslar  
Germany

---

Asslar, 2023-02-23



# UK Declaration of Conformity

This declaration of conformity has been issued under the sole responsibility of the manufacturer.

Declaration for product(s) of the type:

## **Pirani gauge**

TPR 280

TPR 281

We hereby declare that the listed product satisfies all relevant provisions of the following **British Directives**.

## **Electromagnetic Compatibility Regulations 2016**

**The Restriction of the Use of Certain Hazardous Substances in Electrical and Electronic Equipment Regulations 2012**

## **Applied standards and specifications:**

EN IEC 61000-6-2:2019

EN IEC 61000-6-3:2021

EN 61010-1:2010 + A1:2019 + A1:2019/AC:2019

EN IEC 61326-1:2021

EN IEC 63000:2018

The manufacturer's authorized representative in the United Kingdom and the authorized agent for compiling the technical documentation is Pfeiffer Vacuum Ltd, 16 Plover Close, Interchange Park, MK169PS Newport Pagnell.

---

Signature:



(Daniel Sälzer)  
Managing Director

Pfeiffer Vacuum GmbH  
Berliner Straße 43  
35614 Asslar  
Germany

---

Asslar, 2023-02-23

**UK  
CA**



## VACUUM SOLUTIONS FROM A SINGLE SOURCE

Pfeiffer Vacuum stands for innovative and custom vacuum solutions worldwide, technological perfection, competent advice and reliable service.

## COMPLETE RANGE OF PRODUCTS

From a single component to complex systems:

We are the only supplier of vacuum technology that provides a complete product portfolio.

## COMPETENCE IN THEORY AND PRACTICE

Benefit from our know-how and our portfolio of training opportunities!

We support you with your plant layout and provide first-class on-site service worldwide.

ed. B - Date 2404 - P/N:BG6178BEN



Are you looking for a  
perfect vacuum solution?  
Please contact us

Pfeiffer Vacuum GmbH  
Headquarters • Germany  
T +49 6441 802-0  
info@pfeiffer-vacuum.de

[www.pfeiffer-vacuum.com](http://www.pfeiffer-vacuum.com)

**PFEIFFER**  **VACUUM**