



**Centering ring with  
sintered metal filter,  
stainless steel, FKM,  
DN 25 ISO-KF**

---



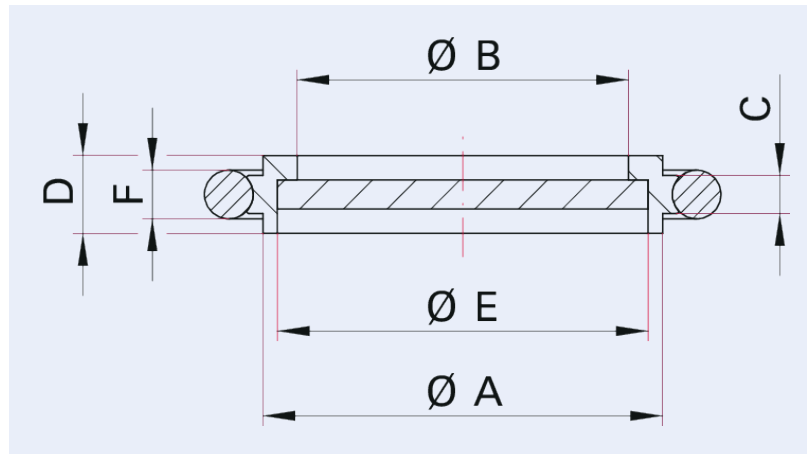
# Centering ring



## Centering ring with sintered metal filter, stainless steel, FKM, DN 25 ISO-KF

- With Sintered Metal Filter made of Sintered Bronze
- Mesh size (average pore size): approx. 0.02 mm
- With FKM-o-ring

### Dimensions



|       |        |
|-------|--------|
| A     | 26 mm  |
| B     | 23 mm  |
| C     | 3.9 mm |
| §D §D | 8 mm   |
| §E §E | 24 mm  |
| §F §F | 5 mm   |

| Technical Data         | Centering ring with sintered metal filter, stainless steel, FKM, DN 25 ISO-KF |
|------------------------|---|
| Temperature range min. | -15 °C  |
| Temperature range max. | 150 °C  |
| Mesh                   | Average pore diameter: Approximately 0.02 mm or 0.004 mm                      |
| O-ring material        | FKM   |
| Temperature range      | -15 – 150 °C  |
| Connection flange      | DN 25 ISO-KF  |
| Material               | Ring: Stainless steel 1.4301/304, Sintered Metal Filter: Sintered bronze      |
| Temperature range max. | 150 °C   302 °F   423.15 K  |
| Temperature range min. | -15 °C   5 °F   258.15 K  |

**Order number**

Centering ring with sintered metal filter,  
stainless steel, FKM, DN 25 ISO-KF

Centering ring with sintered metal filter,  
stainless steel, FKM, DN 25 ISO-KF

122ZRS025

## Your Success. Our Passion.

We give our best for you every day –  
worldwide!

Are you looking for an optimum vacuum solution?

Talk to us:

**Pfeiffer Vacuum Components & Solutions GmbH Germany**

**T +49 551 99963-0**

**info-cs@pfeiffer-vacuum.com**

Or scan the barcode, to visit our web page:



<https://webportal.pfeiffer-vacuum.com/global/en/contact>



Errors and/or changes excepted. - 11/1/2024

Follow Us On Social Media  
#pfeiffervacuum



[www.pfeiffer-vacuum.com](http://www.pfeiffer-vacuum.com)

**PFEIFFER**  **VACUUM**