



**HV Angle Valve,
DN 63 ISO-K, electro-
pneumatic, PV 24 V DC,
SS/FKM, "A"-dim. 88 mm**



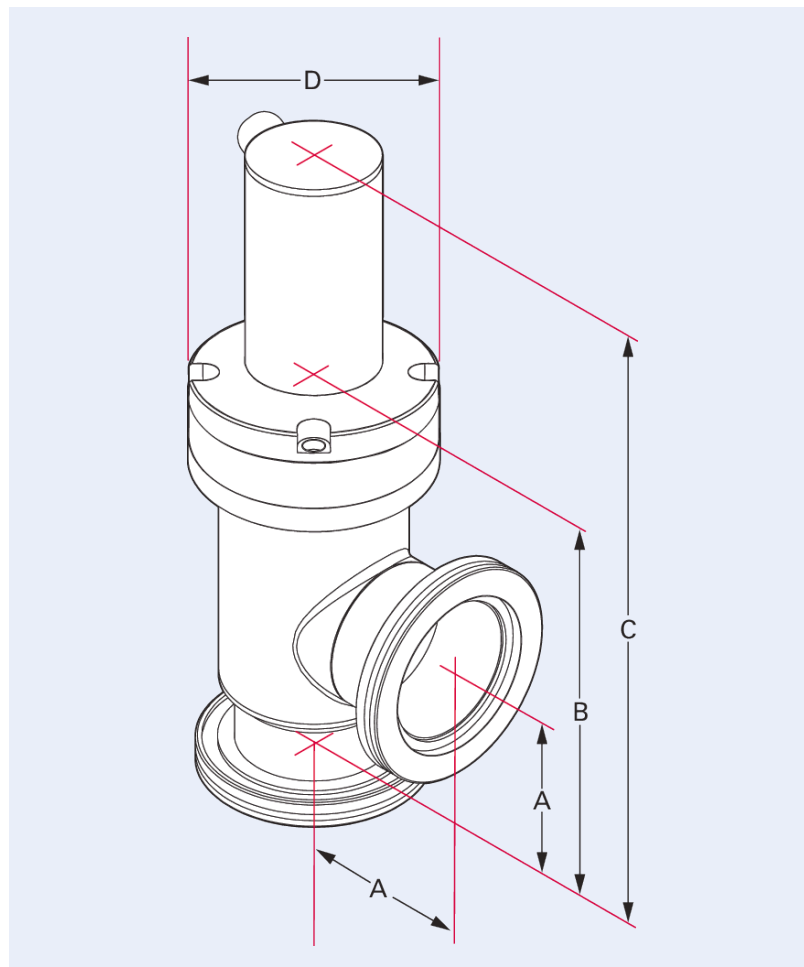
HV angle valve



**HV Angle Valve, DN 63 ISO-K, electro-pneumatic, PV
24 V DC, SS/FKM, "A"-dim. 88 mm**

- Double acting (air to open / air to close)
- With elastomer seals for high vacuum operation
- Additional bellows segments increase the service life
- Can be operated in any orientation
- Additional O-ring materials available

Dimensions



A	88 mm
B	195 mm
C	269 mm
§D §D	100 mm

Technical Data	HV Angle Valve, DN 63 ISO-K, electro-pneumatic, PV 24 V DC, SS/FKM, "A"-dim. 88 mm
Feedthrough	Bellows Stainless steel
Power control valve	4.5 W
Seal	FKM
Control valve	Included
Type	HV Angle valve
Temperature range	-20 – 150 °C
Housing	Stainless steel
Actuator	Electro-pneumatic
Input voltage(s)	24 V DC
Tightness	1 · 10 ⁻¹⁰ Pa m ³ /s 7.5 · 10 ⁻¹⁰ Torr l/s 1 · 10 ⁻⁹ mbar l/s
Conductance value with molecular flow	136 l/s
Operating pressure min.	1 · 10 ⁻⁸ hPa 7.5 · 10 ⁻⁹ Torr 1 · 10 ⁻⁸ mbar
Pressure max. (absolute)	1,000 hPa 750 Torr 1,000 mbar
Bakeout temperature: actuator, pilot valve	60 °C 140 °F 333.15 K
Bakeout temperature: housing	150 °C 302 °F 423.2 K
Differential pressure in closing direction	1,400 hPa 1,050 Torr 1,400 mbar
Differential pressure in opening direction	1,400 hPa 1,050 Torr 1,400 mbar
Weight	3.1 kg 6.83 lb
Compressed air volume	112 cm ³
Connection flange	DN 63 ISO-K
Closing/opening time	0.75 s/0.5 s
Compressed air (overpressure)	6000 – 8000 hPa
Temperature range max.	150 °C 302 °F 423.15 K
Temperature range min.	-20 °C -4 °F 253.15 K

Order number	HV Angle Valve, DN 63 ISO-K, electro-pneumatic, PV 24 V DC, SS/FKM, "A"-dim. 88 mm
HV Angle Valve, DN 63 ISO-K, electro-pneumatic, PV 24 V DC, SS/FKM, "A"-dim. 88 mm	ESVPA-S06202

Accessories	HV Angle Valve, DN 63 ISO-K, electro-pneumatic, PV 24 V DC, SS/FKM, "A"-dim. 88 mm
Set of seals for valve ESVP/AIVP, DN 63	ESVP-250-95
Control valve for valve ESVP/AIVP/CSVP/CAIVP, 24 V DC	S22-K

Your Success. Our Passion.

We give our best for you every day –
worldwide!

Are you looking for an optimum vacuum solution?

Talk to us:
Pfeiffer Vacuum GmbH
Germany
T +49 6441 802-0

Or scan the barcode, to visit our web page:



<https://webportal.pfeiffer-vacuum.com/global/en/contact>



Errors and/or changes excepted. - 11/1/2024

Follow Us On Social Media
#pfeiffervacuum



www.pfeiffer-vacuum.com

PFEIFFER  **VACUUM**