



PPT 200, DN 16 ISO-KF, RS-485



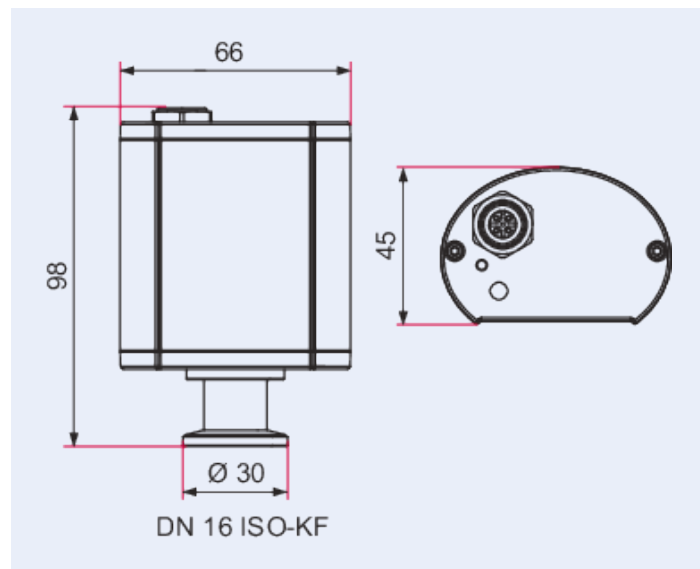
PPT 200



PPT 200, DN 16 ISO-KF, RS-485

- $1 \cdot 10^{-4} - 1000$ hPa
- High protection level for industrial applications

Dimensions



Technical Data	PPT 200, DN 16 ISO-KF, RS-485
Measuring range	1E-4 – 1 · 10 ³ hPa
Materials in contact with media	Stainless steel Tungsten Glass
Measurement cable length	100 m
Seal	Metal
I/O interfaces	RS-485
Anode	130727
Ambient temperature	5 – 60 °C
Accuracy of measurement in range 1	10 % (2E-3 hPa – 2 · 10 ¹ hPa)
Accuracy of measurement in range 2	30 % (2E1 hPa – 1 · 10 ³ hPa)
Measuring method	Pirani
Input voltage(s)	24 V DC
Bakeout temperature at the flange	≤150 °C ≤302 °F ≤423.15 K
Pressure max.	4,000 hPa 3,000 Torr 4,000 mbar
Weight	0.19 kg 0.42 lb
Measuring cycle	10 ms
Power consumption max.	2.5 W
Connection flange	DN 16 ISO-KF
Filament	Tungsten
Repeatability in range 1	2 % (2E-3 hPa – 1 · 10 ¹ hPa)

Order number	PPT 200, DN 16 ISO-KF, RS-485
PPT 200, DN 16 ISO-KF, RS-485	PT R38 130

Accessories	PPT 200, DN 16 ISO-KF, RS-485
Sensor for PPT 200 DN 16 ISO-KF	PT 120 235 -T

Your Success. Our Passion.

We give our best for you every day –
worldwide!

Are you looking for an optimum vacuum solution?

Talk to us:
Pfeiffer Vacuum GmbH
Germany
T +49 6441 802-0

Or scan the barcode, to visit our web page:



<https://webportal.pfeiffer-vacuum.com/global/en/contact>



Errors and/or changes excepted. - 11/1/2024

Follow Us On Social Media
#pfeiffervacuum



www.pfeiffer-vacuum.com

PFEIFFER  **VACUUM**