



Clamping ring for elastomer seal, plastic, DN 32-40 ISO-KF



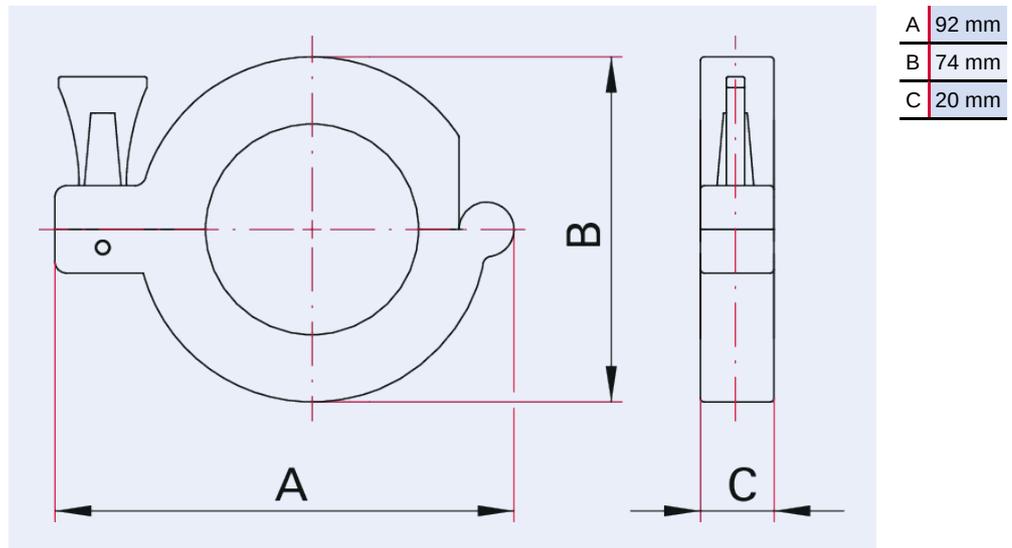
Clamping ring



Clamping ring for elastomer seal, plastic, DN 32-40 ISO-KF

- Particularly well suited for glass flanges
- Suitable for use with elastomer seals
- Not to be used for the installation of turbo pumps!
Use the fastening elements given in the corresponding operating instructions.

Dimensions



Technical Data

Clamping ring for elastomer seal, plastic, DN 32-40 ISO-KF

Temperature range min.	-10 °C
Temperature range max.	80 °C
Over pressure max.	500 hPa
Temperature range	-10 – 80 °C
Overpressure max.	500 hPa 375 Torr 500 mbar
Connection flange	DN 32 / 40 ISO-KF
Torque	2 N m on wingnut
Material	Plastic
Temperature range max.	80 °C 176 °F 353.15 K
Temperature range min.	-10 °C 14 °F 263.15 K

Order numberClamping ring for elastomer seal, plastic,
DN 32-40 ISO-KFClamping ring for elastomer seal, plastic,
DN 32-40 ISO-KF

130BSR040

Your Success. Our Passion.

We give our best for you every day –
worldwide!

Are you looking for an optimum vacuum solution?

Talk to us:

Pfeiffer Vacuum Components & Solutions GmbH Germany

T +49 551 99963-0

info-cs@pfeiffer-vacuum.com

Or scan the barcode, to visit our web page:



<https://webportal.pfeiffer-vacuum.com/global/en/contact>



Errors and/or changes excepted. - 11/1/2024

Follow Us On Social Media

#pfeiffervacuum



www.pfeiffer-vacuum.com

PFEIFFER  **VACUUM**