



# Clamping ring for elastomer seal, plastic, DN 20-25 ISO-KF

---



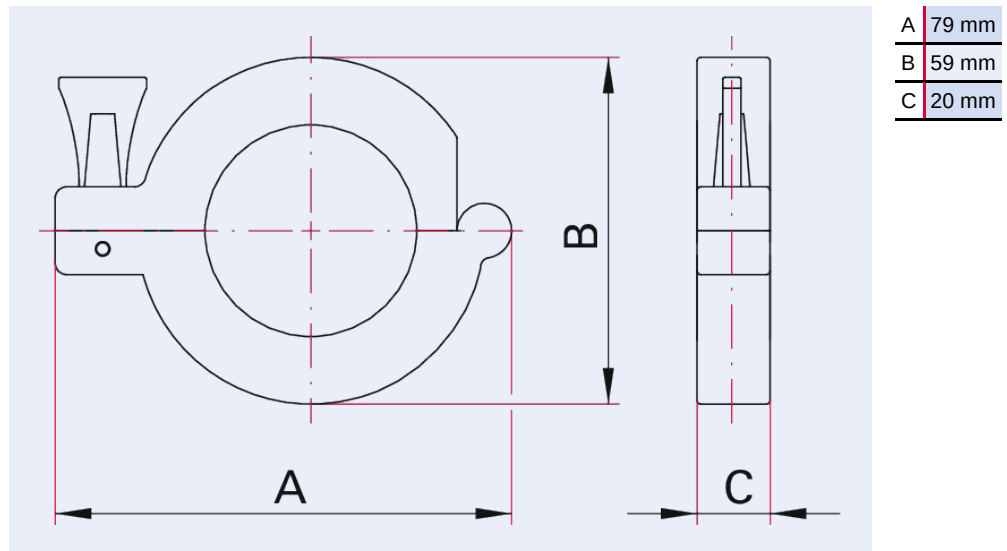
# Clamping ring



## Clamping ring for elastomer seal, plastic, DN 20-25 ISO-KF

- Particularly well suited for glass flanges
- Suitable for use with elastomer seals
- Not to be used for the installation of turbo pumps!  
Use the fastening elements given in the corresponding operating instructions.

### Dimensions



### Technical Data

Technical Data	Clamping ring for elastomer seal, plastic, DN 20-25 ISO-KF
Temperature range min.	-10 °C
Temperature range max.	80 °C
Over pressure max.	500 hPa
Temperature range	-10 – 80 °C
Overpressure max.	500 hPa   375 Torr   500 mbar
Connection flange	DN 20 / 25 ISO-KF
Torque	2 N m on wingnut
Material	Plastic
Temperature range max.	80 °C   176 °F   353.15 K
Temperature range min.	-10 °C   14 °F   263.15 K

**Order number**Clamping ring for elastomer seal, plastic,  
DN 20-25 ISO-KFClamping ring for elastomer seal, plastic,  
DN 20-25 ISO-KF

130BSR025

## Your Success. Our Passion.

We give our best for you every day –  
worldwide!

Are you looking for an optimum vacuum solution?

Talk to us:

**Pfeiffer Vacuum Components & Solutions GmbH Germany**

**T +49 551 99963-0**

**info-cs@pfeiffer-vacuum.com**

Or scan the barcode, to visit our web page:



<https://webportal.pfeiffer-vacuum.com/global/en/contact>



Errors and/or changes excepted. - 11/1/2024

Follow Us On Social Media

#pfeiffervacuum



[www.pfeiffer-vacuum.com](http://www.pfeiffer-vacuum.com)

**PFEIFFER**  **VACUUM**