



**SmartVane 55, 1-phase
motor, 100 – 127 V | 200
– 240 V, 50/60 Hz**



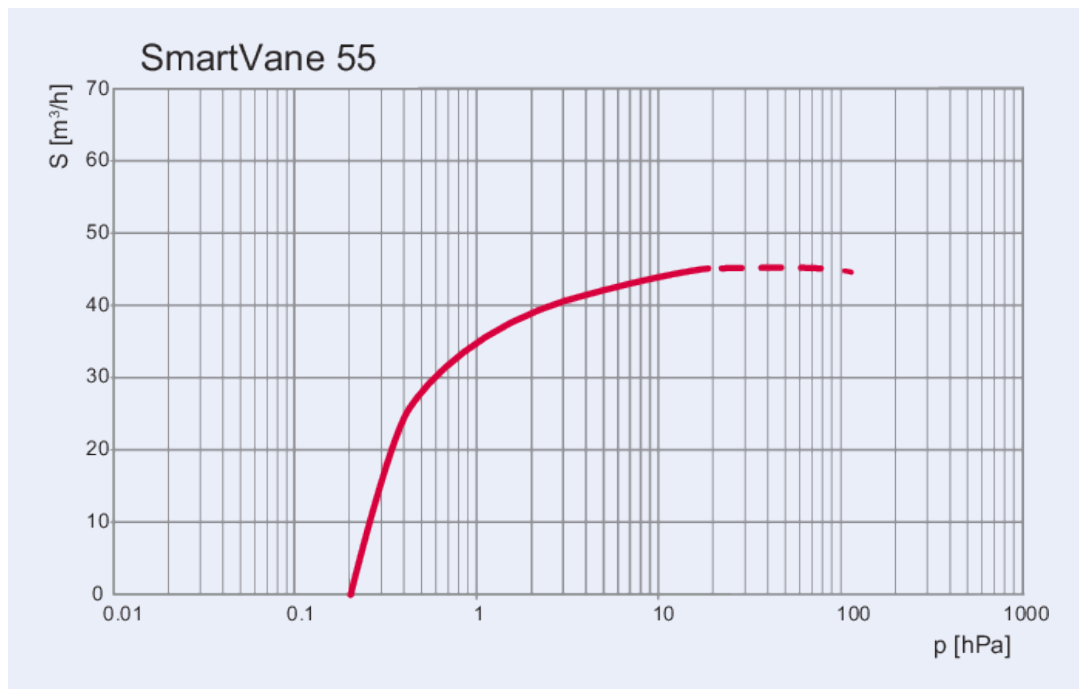
SmartVane 55



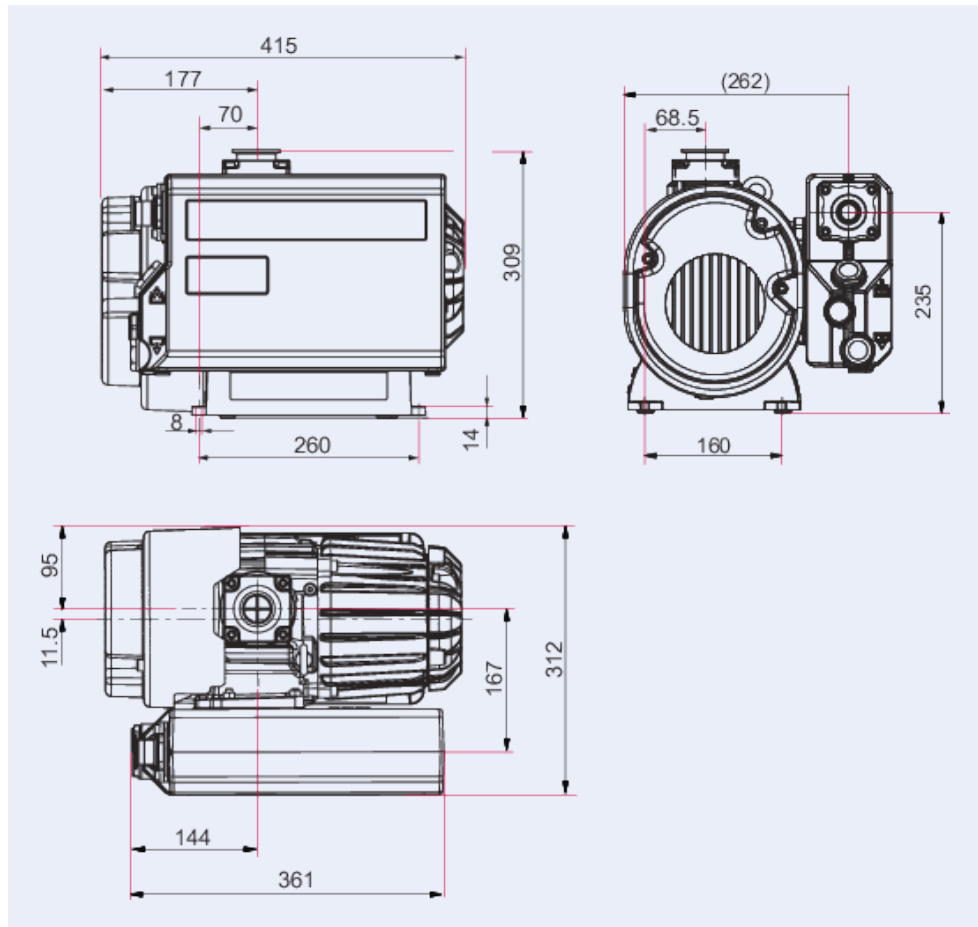
SmartVane 55, 1-phase motor, 100 – 127 V | 200 – 240 V, 50/60 Hz

- Powerful rotary vane pump with a pumping speed up to 50 m³/h
- 1-phase motor for 100 – 127 | 200 – 240 V, 50/60 Hz
- Integrated vacuum non-return valve
- Ideal for laboratory applications

Characteristics



Dimensions



Technical Data	SmartVane 55, 1-phase motor, 100 – 127 V 200 – 240 V, 50/60 Hz
Protection degree	IP20
Ultimate pressure	2 · 10 ⁻¹ hPa 1.5 · 10 ⁻¹ Torr 2 · 10 ⁻¹ mbar
Connection flange (in)	DN 40 ISO-KF
Connection flange (out)	DN 25 ISO-KF
Motor type	1-phase motor
Motor protection	Internal
Switch included	Yes
Mains cable	No, C16-plug inside the terminal box
Mains cable included	No
Cooling method	Air (Forced convection)
Ambient temperature	15 – 45 °C
Continuous inlet pressure, max.	15 hPa 11.25 Torr 15 mbar
Exhaust pressure, min.	Atmospheric pressure
Exhaust pressure, max.	Atmospheric pressure
Gas ballast	No
Operating fluid	H1
Operating fluid amount	1.75 l
Dimensions (L x W x H)	415 x 312 x 309 mm
Weight	36 kg 79.37 lb

Order number	SmartVane 55, 1-phase motor, 100 – 127 V 200 – 240 V, 50/60 Hz
SmartVane 55, 1-phase motor, 100 – 127 V 200 – 240 V, 50/60 Hz	PK D80 000

Your Success. Our Passion.

We give our best for you every day –
worldwide!

Are you looking for an optimum vacuum solution?

Talk to us:
Pfeiffer Vacuum GmbH
Germany
T +49 6441 802-0

Or scan the barcode, to visit our web page:



<https://webportal.pfeiffer-vacuum.com/global/en/contact>



Errors and/or changes excepted. - 11/1/2024

Follow Us On Social Media
#pfeiffervacuum



www.pfeiffer-vacuum.com

PFEIFFER  **VACUUM**