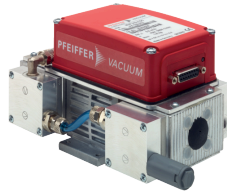


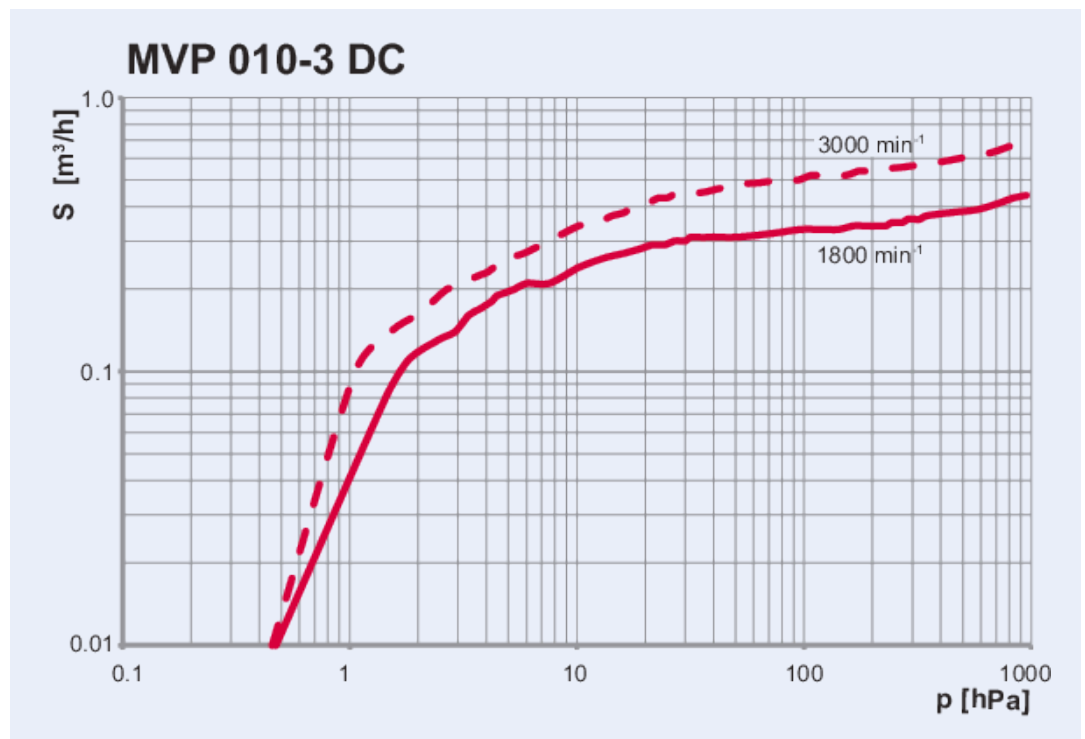
MVP 010-3



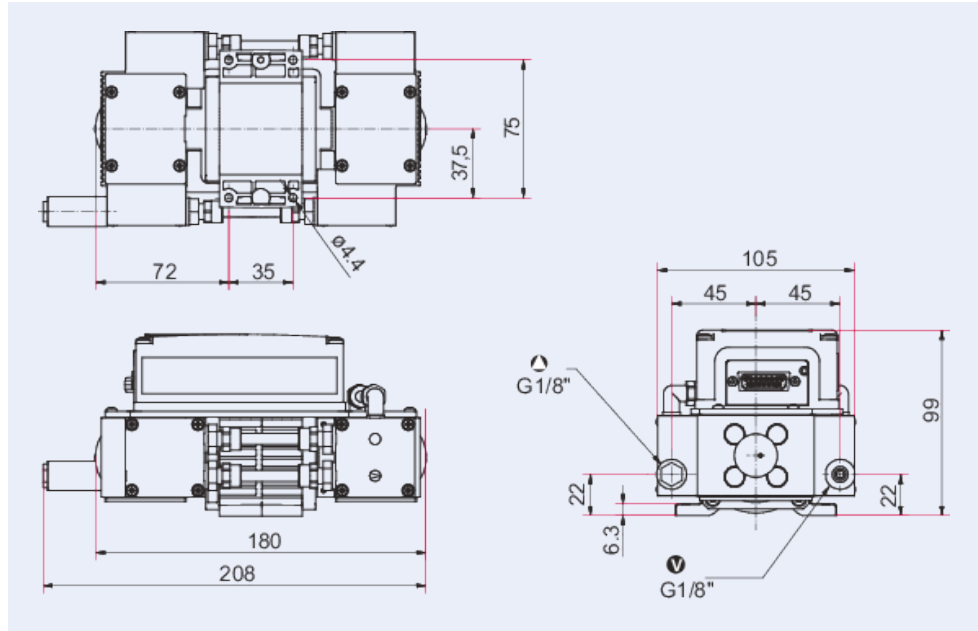
MVP 010-3 DC, diaphragm pump, 24 V DC

- Compact diaphragm pump with a pumping speed of up to 0.6 m³/h
- Pumping of dry and non-corrosive gases
- Industry 4.0 compatible: Operation with other intelligent products, such as turbopumps via RS-485

Characteristics



Dimensions



Technical Data	MVP 010-3 DC, diaphragm pump, 24 V DC
Pumping speed	0.6 m ³ /h
Ultimate pressure	1 · 10 ⁰ hPa 7.5 · 10 ⁻¹ Torr 1 · 10 ⁰ mbar
Integral leak rate	≤5 · 10 ⁻⁴ Pa m ³ /s ≤3.75 · 10 ⁻³ Torr l/s ≤5 · 10 ⁻³ mbar l/s
Intake pressure max.	1,100 hPa 825 Torr 1,100 mbar
Exhaust pressure, max.	1,300 hPa 975 Torr 1,300 mbar
Connection flange (in)	G 1/8"
Connection flange (out)	1/8" thread with silencer (separate package)
I/O interfaces	RS-485
Input voltage(s)	24 V DC (±10 %)
Input voltage: tolerance	±10 %
Motor type	DC motor
Current, max.	2.5 A
Rotation speed	540 – 3000 rpm
Nominal rotation speed	1,800 rpm 1,800 min ⁻¹
Protection degree	IP20
Certification	cTUVus certified according to UL / CSA 61010-1
Switch	No
Emission sound pressure level (EN ISO 2151)	50 dB(A)
Ambient temperature	5 – 40 °C
Temperature: Storage	5 – 40 °C
Temperature: Shipping	-10 – 60 °C
Cooling method	Natural convection
Weight	2 kg 4.41 lb
Gas ballast	No
Operating altitude, max.	2,000 m

Order number	MVP 010-3 DC, diaphragm pump, 24 V DC
MVP 010-3 DC, diaphragm pump, 24 V DC	PK T05 072

Accessories	MVP 010-3 DC, diaphragm pump, 24 V DC
Silencer for MVP R 1/8"	P 0920 567
Inspection set for MVP 010-3 DC	PU E22 030 -T

Your Success. Our Passion.

We give our best for you every day –
worldwide!

Are you looking for an optimum vacuum solution?

Talk to us:
Pfeiffer Vacuum GmbH
Germany
T +49 6441 802-0

Or scan the barcode, to visit our web page:



<https://webportal.pfeiffer-vacuum.com/global/en/contact>



Errors and/or changes excepted. - 11/1/2024

Follow Us On Social Media
#pfeiffervacuum



www.pfeiffer-vacuum.com

PFEIFFER  **VACUUM**