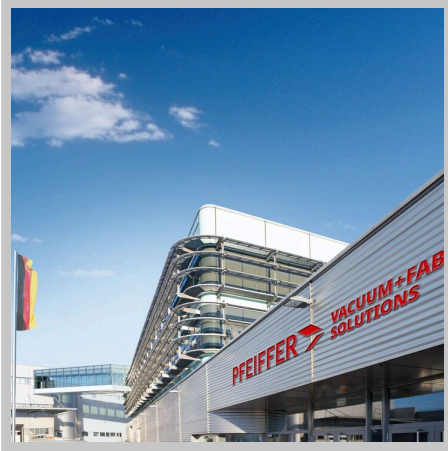




**Okta 1000 M, roots
pump, 230/400 V,
50 Hz | 265/460, 60 Hz**



Okta 1000 M

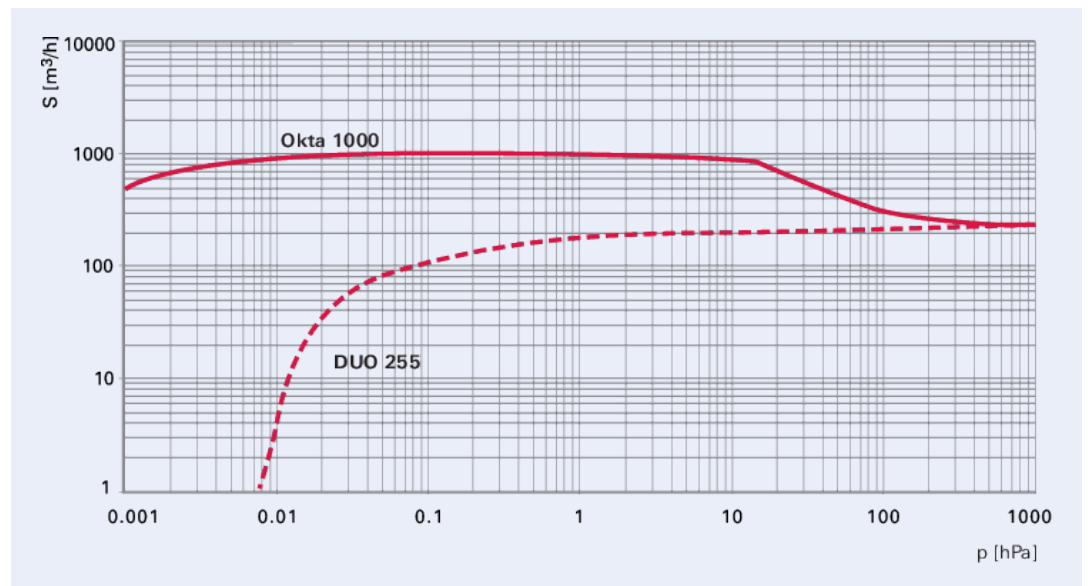


Illustration only

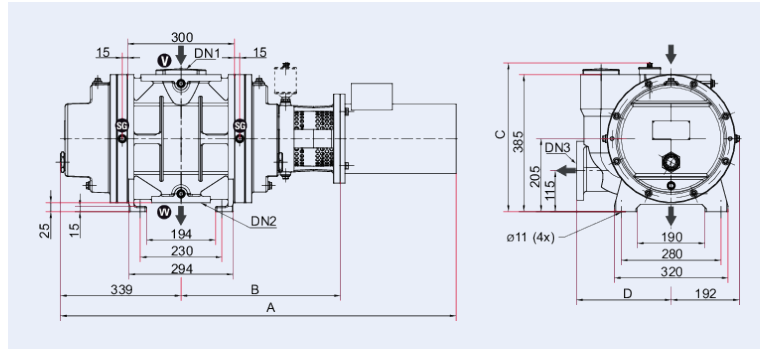
Okta 1000 M, roots pump, 230/400 V, 50 Hz | 265/460, 60 Hz

- High-performance Roots pump with a pumping speed of 590 to 1775 m³/h and magnetic coupling
- For mains voltage: 230/400 V, 50 Hz or 265/460 V, 60 Hz
- No thermal overload thanks to integrated overflow valve
- For all low and medium vacuum applications

Characteristics



Dimensions



A	1,125 mm
B	461 mm
C	402 mm
D	266 mm
DN 1	DN 160 ISO-F
DN 2	DN 100 ISO-F
DN 3	DN 100 ISO-F

Technical Data	Okta 1000 M, roots pump, 230/400 V, 50 Hz 265/460, 60 Hz
Operating fluid	P3
Cooling method	Natural convection
Pumping speed category	1000 m ³ /h
Nominal pumping speed	590 – 1775 m ³ /h
Nominal pumping speed at 50 Hz	1,180 m ³ /h
Nominal pumping speed at 60 Hz	1,420 m ³ /h
Differential pressure	45 hPa
Motor for region	Asia Europe
Magnetic coupling	Yes
Version	Standard with motor and magnetic coupling
Ambient temperature	5 – 40 °C
Input voltage(s)	230 / 400 V AC, 50 Hz 265 / 460 V AC (±5 %), 60 Hz
Emission sound pressure level (EN ISO 2151) at intake pressure 1 hPa	72 dB(A)
Emission sound pressure level (EN ISO 2151) at intake pressure 10 hPa	75 dB(A)
Nominal pumping speed at 60 Hz	1,420 m ³ /h 835.812 cfm 23,667.14 l/min
Nominal pumping speed at 50 Hz	1,180 m ³ /h 694.548 cfm 19,667.06 l/min
Nominal rotation speed at 60 Hz	3,600 rpm 3,600 min ⁻¹
Nominal rotation speed at 50 Hz	3,000 rpm 3,000 min ⁻¹
Weight	275 kg 606.27 lb
Motor protection	3TF
Nominal rotation speed at 60 Hz	3,600 rpm
Nominal rotation speed at 50 Hz	3,000 rpm
Rotation speed	1500 – 4500 rpm
Rated power 50 Hz	3 kW
Rated power 60 Hz	3.5 kW
Weight: with motor	275 kg
Dimensions (L x W x H)	1125 x 458 x 402 mm
Operating fluid amount	2.9 l
Motor seal	Hermetic sealing
Motor coupling	Magnet coupling
Connection flange (in)	DN 160 ISO-F
Connection flange (out)	DN 100 ISO-F

Order number	Okta 1000 M, roots pump, 230/400 V, 50 Hz 265/460, 60 Hz
Okta 1000 M, roots pump, 230/400 V, 50 Hz 265/460, 60 Hz	PP W42 000



Errors and/or changes excepted. - 2/21/2025

Are you looking for an optimum vacuum solution?

**Talk to us:
Pfeiffer Vacuum GmbH
Germany
T +49 6441 802-0**

Or scan the barcode, to visit our web page:



<https://webportal.pfeiffer-vacuum.com/global/en/contact>

**Follow Us On Social Media
#pfeiffervacuum**



www.pfeiffer-vacuum.com

PFEIFFER 