



**Centering ring with
sintered metal filter, 0,02
mm pore size, stainless
steel, FKM, DN 40 ISO-
KF**

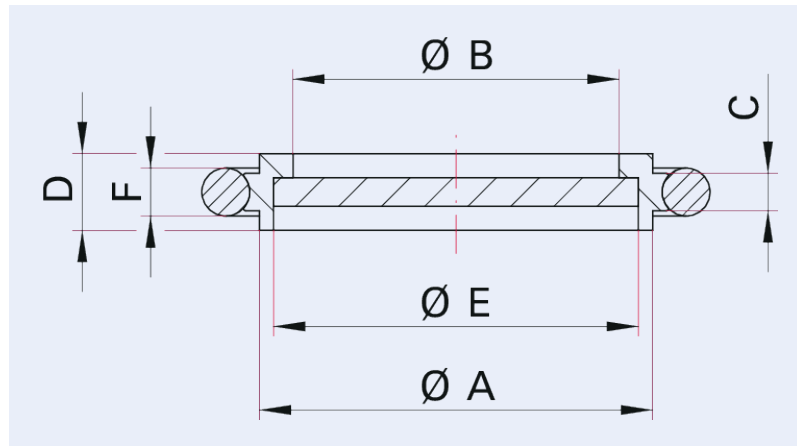
Centering ring



Centering ring with sintered metal filter, 0,02 mm pore size, stainless steel, FKM, DN 40 ISO-KF

- With Sintered Metal Filter made of Stainless Steel 316L/1.4404
- Mesh size (average pore size): approx. 0.02 mm
- With FKM-o-ring

Dimensions



A	41 mm
B	35.5 mm
C	3.9 mm
D	8 mm
E	40 mm
F	5 mm
§D §D	8 mm
§E §E	40 mm
§F §F	5 mm

Technical Data

Centering ring with sintered metal filter, 0,02 mm pore size, stainless steel, FKM, DN 40 ISO-KF	
Temperature range min.	-15 °C
Temperature range max.	150 °C
Mesh	Average pore diameter: Approximately 0.02 mm
O-ring material	FKM
Temperature range	-15 – 150 °C
Attribute	Pore size 20 µm, FKM/Stainless steel
Connection flange	DN 40 ISO-KF
Usage	Gauge with DN 40 ISO-KF
Material	Filter stainless steel 1.4404/316L, Centering Ring Stainless Steel 1.4305/303
Temperature range max.	150 °C 302 °F 423.15 K
Temperature range min.	-15 °C 5 °F 258.15 K

Order number	Centering ring with sintered metal filter, 0,02 mm pore size, stainless steel, FKM, DN 40 ISO-KF
Centering ring with sintered metal filter, 0,02 mm pore size, stainless steel, FKM, DN 40 ISO-KF	PF 117 240 -T

Your Success. Our Passion.

We give our best for you every day –
worldwide!

Are you looking for an optimum vacuum solution?

Talk to us:

Pfeiffer Vacuum Components & Solutions GmbH Germany

T +49 551 99963-0

info-cs@pfeiffer-vacuum.com

Or scan the barcode, to visit our web page:



<https://webportal.pfeiffer-vacuum.com/global/en/contact>



Errors and/or changes excepted. - 11/1/2024

Follow Us On Social Media

#pfeiffervacuum



www.pfeiffer-vacuum.com

PFEIFFER  **VACUUM**