



**Centering ring with  
sintered metal filter, 0,02  
mm pore size, stainless  
steel, FKM, DN 25 ISO-  
KF**

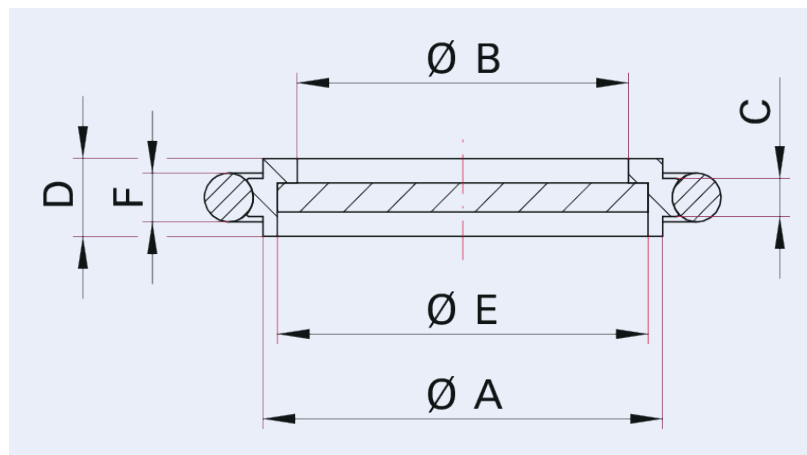
# Centering ring



## Centering ring with sintered metal filter, 0,02 mm pore size, stainless steel, FKM, DN 25 ISO-KF

- With Sintered Metal Filter made of Stainless Steel 316L/1.4404
- Mesh size (average pore size): approx. 0.02 mm
- With FKM-o-ring

### Dimensions



A	26 mm
B	22 mm
C	3.9 mm
D	8 mm
E	25 mm
F	5 mm
§D §D	8 mm
§E §E	25 mm
§F §F	5 mm

Technical Data	Centering ring with sintered metal filter, 0,02 mm pore size, stainless steel, FKM, DN 25 ISO-KF
Temperature range min.	-15 °C
Temperature range max.	150 °C
Mesh	Average pore diameter: Approximately 0.02 mm
O-ring material	FKM
Temperature range	-15 – 150 °C
Attribute	Pore size 20 µm, FKM/Stainless steel
Connection flange	DN 25 ISO-KF
Usage	Gauge with DN 25 ISO-KF
Material	Filter stainless steel 1.4404/316L, Centering Ring Stainless Steel 1.4305/303
Temperature range max.	150 °C   302 °F   423.15 K
Temperature range min.	-15 °C   5 °F   258.15 K

<b>Order number</b>	Centering ring with sintered metal filter, 0,02 mm pore size, stainless steel, FKM, DN 25 ISO-KF
Centering ring with sintered metal filter, 0,02 mm pore size, stainless steel, FKM, DN 25 ISO-KF	PF 117 225 -T

## Your Success. Our Passion.

We give our best for you every day –  
worldwide!

Are you looking for an optimum vacuum solution?

Talk to us:

**Pfeiffer Vacuum Components & Solutions GmbH Germany**

**T +49 551 99963-0**

**info-cs@pfeiffer-vacuum.com**

Or scan the barcode, to visit our web page:



<https://webportal.pfeiffer-vacuum.com/global/en/contact>



Errors and/or changes excepted. - 11/1/2024

Follow Us On Social Media  
#pfeiffervacuum



[www.pfeiffer-vacuum.com](http://www.pfeiffer-vacuum.com)

**PFEIFFER**  **VACUUM**