



ASM 390 and ASM 392

Mobile leak detectors optimized for rapid pump down and short response times on large test objects



Semiconductors



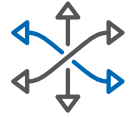
Accelerators



Solar industry

ASM 390 and ASM 392

Mobile leak detectors optimized for rapid pump down and short response times on large test objects



High maneuverability and compact design

Your added values



Intuitive menu for easy operation

Superior performance, fast testing

The ASM 390 and ASM 392 are the perfect leak detection solutions adapted to the semiconductor and display industries as well as to other demanding applications where rapid pump down and high sensitivity is key. Both models are fully Semi S2 compliant.

These leak detectors are fitted with a dry frictionless backing pump and a powerful high vacuum pump, making them the ideal tools for leak testing of various components in clean environments. Equipped with an additional turbopump, the ASM 392 will speed up your leak detection process to reduce the downtime of your production equipment.

Robust, accurate and reliable

The ASM 390 and ASM 392 were developed to provide full confidence in leak testing regardless of the operator's knowledge. They deliver premium performances and accurate results in a minimal time, making them highly efficient in the field.



Fast start-up



Fully Semi S2 compliant



High roughing capacity



High sensitivity and accurate measurements



Low maintenance requirements

Ergonomic and highly maneuverable

ASM 390 and ASM 392 share the same platform and are uniquely ergonomic with a convenient size and height, a secondary handle in the front, a fully rotatable, removable display, an inlet in the front for easy connection to test ports and unrivaled maneuverability for access to all testing areas, even in tight spaces.

Smart and user-friendly

Thanks to a wide, clear color touch display panel, an integrated toolbox with modular compartments and storage space for vacuum bellows, you will be amazed how easy leak detection can be when you have all necessary accessories at the point of use.

Applications

- Semiconductor industry
- Large area coating
- Solar industry
- Accelerators
- Vacuum components – feedthroughs, valves, bellows, expansion joints
- Laser technology
- Ultra-pure media supply
- Electronics
- Aeronautics
- Medical technology

ASM 390 and ASM 392

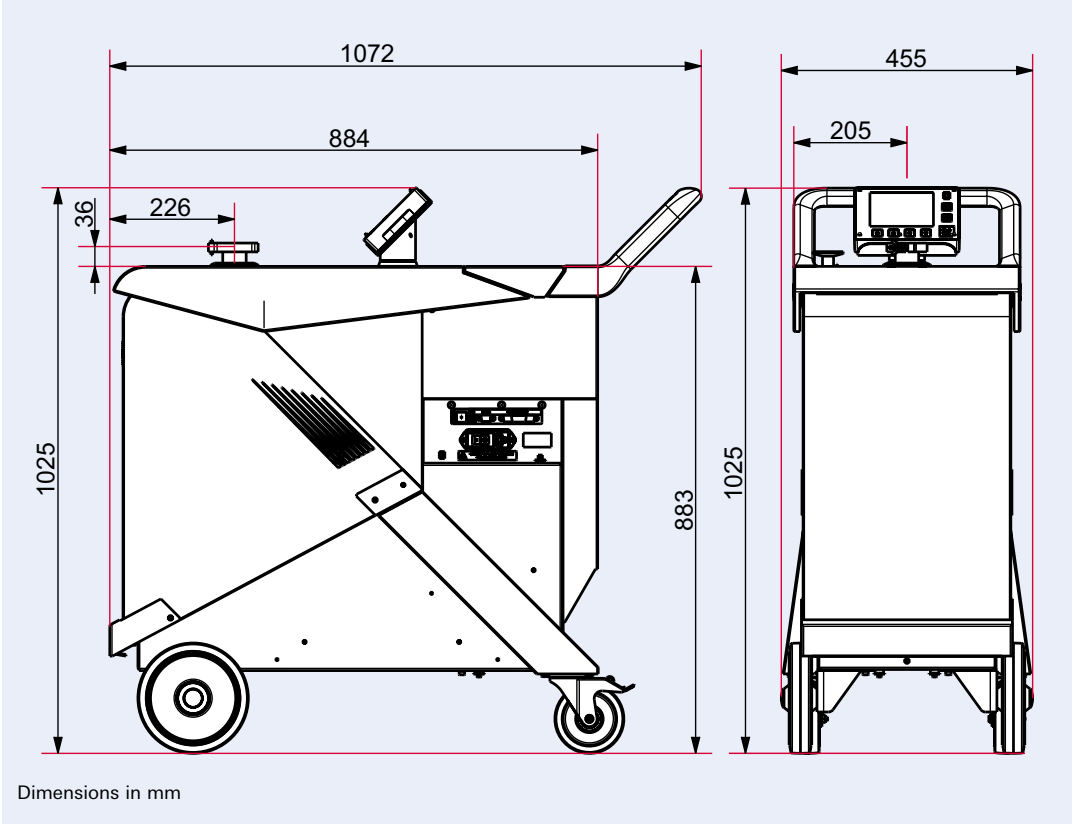
Details, dimensions,
applications



Rotateable display

Ergonomic design
with working surface

Dimensions





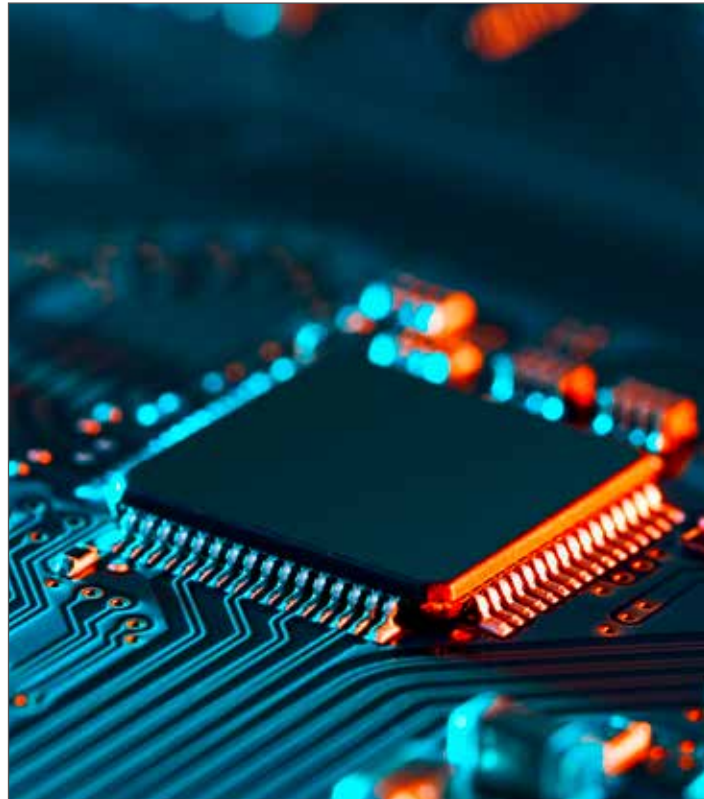
Laser technology



Coating



Feedthroughs



Electronics

ASM 390 and ASM 392

Technical data,
order numbers, accessories

ASM 390/392

$1 \cdot 10^{-12}$ mbar·l/s

Min. detectable leak rate
for Helium
(vacuum leak detection)

< 1 s

Response time



Technical data

	ASM 390	ASM 392
Detectable gases	^4He , ^3He , H_2	
Min. detectable leak rate for Helium (vacuum leak detection)	$1 \cdot 10^{-12}$ mbar·l/s	
Min. detectable leak rate for Helium (sniffer leak detection)	$1 \cdot 10^{-8}$ mbar·l/s ¹⁾	
Helium pumping speed	10 l/s	25 l/s
Backing capacity	35 m ³ /h	
Maximum inlet test pressure	20 mbar (and additional massive mode)	
Start-up time (20°C) without calibration	2 min	
Inlet flange	DN 40 ISO-KF	
Response time	< 1 s	
Interface	RS-232, I/O, Ethernet (consult operating instructions for more details)	
Noise level	≤ 55 dB (A)	
Operating temperature	10–35 °C	
Supply voltage	100–240 V, 50/60 Hz	
Power consumption	800 W	
Power consumption max.	1,600 W	
Weight	125 kg	130 kg
Dimensions (LxWxH)	1,072 x 455 x 1,025 mm	



Aeronautics

Order number matrix ASM 390/392

		a	b	c
Version				
ASM 390		CSGB01		
ASM 392		ESGB02		
Interface board				
Basic 15 pins I/O		0		
37 pins I/O		2		
37 pins I/O + Ethernet ¹⁾		4		
Customization on exhaust				
None (Standard)		A		
Exhaust DN 25		B		
Exhaust DN 40		C		

¹⁾ Ethernet will allow to create an additional COM port to operate the leak detector through a computer

Order numbers accessories

Accessories	Order number
Bottle holder for ASM 390 and ASM 392	126561
Remote control	
RC10 (wired/wireless operation, color touch screen)	124193
Basic with 5 m cable	106688
Locking clamp DN 40 KF	118801
Standard sniffer probe²⁾	
5 m hose length, rigid 9 cm nozzle	SNC1E1T1
External communication box ECB-Wifi	125902
Helium spray gun	
Standard	112535
Spray gun "Elite" with accessories in a case	109951
Inlet filters for dust²⁾	
Brass, 20 µm, DN 40/40 ISO-KF	105842
Stainless steel, 15 µm, DN 40/40 ISO-KF	on request

²⁾ Other configurations available, please contact your local Pfeiffer Vacuum support

Your Success. Our Passion.

We give our best for you every day –
worldwide!

Are you looking for your
optimized vacuum solution?
Please contact us:

Pfeiffer Vacuum GmbH
Germany
T +49 6441 802-0



All information is subject to change without prior notice. PL 0019 PEN (October 2022/PoD)

Follow us on social media
#pfeiffervacuum



www.pfeiffer-vacuum.com

PFEIFFER  **VACUUM**